

**LM-1920R** and **LM-1520R** are high performance Color LCD Monitors for the professional market. Their respective sizes are 15" and 19" diagonally and they are housed in unique rack mount housings that tilt up or down to optimize the viewing angle. This is particularly beneficial when circumstances necessitate that the monitors be mounted above or below normal eye level. Also included is an integrated swivel stand on the rear of both units to allow table top use if desired. Both models feature high brightness, Active Matrix LCD Displays with wide viewing angles and excellent contrast ratios. They are flicker-free, low radiation, space saving and feature low power consumption. NTSC and PAL Television Standards are supported and automatically detected.

Both models have two Composite Video, one YC and three Stereo Audio Inputs. The Composite Video Inputs are automatically terminated. Also, HD-15 and DVI-D PC inputs are provided and can accommodate resolutions up to XGA for the LM-1520R and SXGA for the LM-1920R. Dual built in speakers are driven by two 1 watt amplifiers to provide stereo audio monitoring capabilities. The unit's Menu contains all the necessary controls to adjust Contrast, Brightness, Color, Hue and other parameters necessary for optimum monitor performance. Results of these adjustments can be viewed via the On Screen Display.

### Key Features of the LM-1920R and LM-1520R

- Computer Resolution to SXGA for LM-1920R
- Computer Resolution to XGA for LM-1520R
- HD-15 and DVI-D Inputs for computers
- High Brightness, Pro Grade LCD Panels
- Dual Composite, YC (S-Video) and Stereo Inputs
- 3D Comb and De-interlace filters
- Wide Left/Right and Up/Down Viewing Angles
- Vertically Tiltable Rackmount Housing
- VESA Mounting capability
- Integrated Swivel Stand for Table Top Use
- Exclusive TV One Locking DC connector



**LM-1920R**



**LM-1520R**

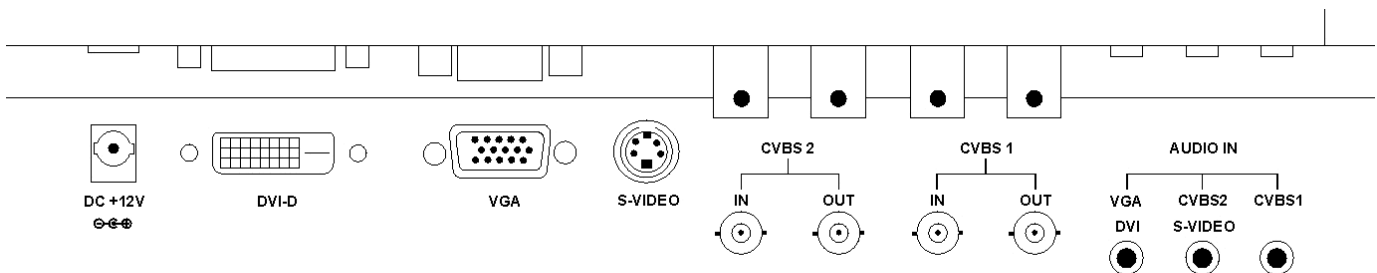


## Specifications

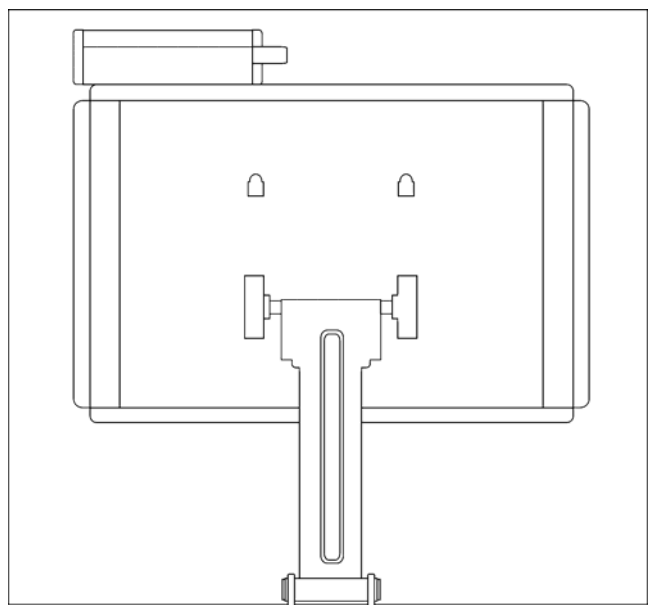
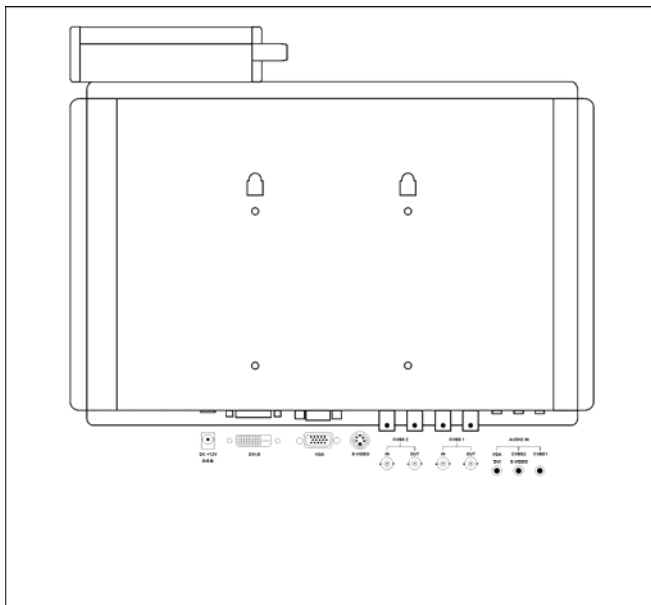
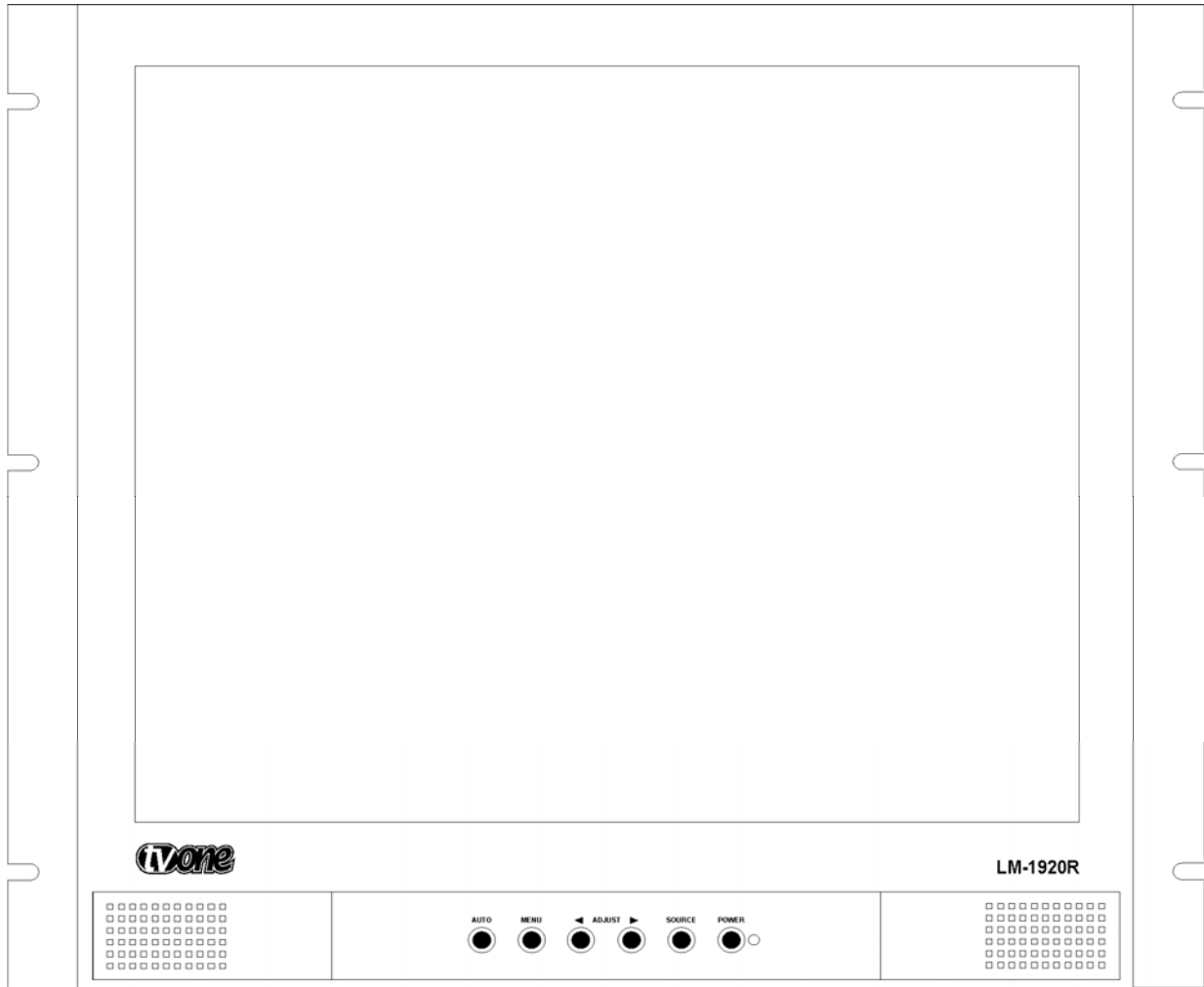
LCD Panel	LM-1920R	LM-1520R	Mechanical – In Rackmount
Display Size - Diagonal	19" (48.2cm)	15" (38.1cm)	LM-1920R Size (H-W-D) 396x482x65mm (15.6"x19"x2.5")
Panel Resolution	1280x1024	1024x768	Weight (Net) 6.6 kg (14.5 lbs)
Contrast Ratio	800:1	500:1	Rackmount 9RU - Tilt Up/Down
Brightness	250 cd/m2	250 cd/m2	LM-1520R Size (H-W-D) 355x482x63mm (14"x19"x2.5")
Left/Right View Angle	170°	140°	Weight (Net) 5.1 kg (11.2 lbs)
Up/Down View Angle	160°	125°	Rackmount 8 RU - Tilt Up/Down
Aspect Ratio	5:4	4:3	<b>Mechanical – Without Rackmount</b>
<b>PC Input Range</b>	<b>SXGA (LM-1920R)</b>	<b>XGA (LM-1520R)</b>	LM-1920R Size (H-W-D) 396x425x58mm(15.6"x16.7"x2.3")
Maximum Resolution	1280x1024	1024x768	Weight (Net) 5.6 kg (12.3 lbs)
Vertical Freq Range	60, 75Hz	60, 70, 75Hz	Wall Mount VESA Standard
Horizontal Freq Range	31.5-80KHz	31.5-80KHz	LM-1520R Size (H-W-D) 355x390x57mm(14"x15.4"x2.3")
<b>Inputs</b>			Weight (Net) 4.2 kg (9.2 lbs)
Composite Video	2x via Looping BNC Connectors		Wall Mount VESA Standard
YC (S-Video)	1x via 4-Pin Mini-DIN Connector		<b>Environmental</b>
Stereo Audio	2x via 3.5mm Mini-Stereo Jack		Operating Temperature 0° to +50° C (+32° to +122° F)
Computer	1x HD-15, 1x DVI-D		Operating Humidity 20% to 80%, Non-condensing
Computer Stereo Audio	1x via 3.5mm Mini-Stereo Jack		Storage Temperature -10° to +60° C (14° to +140° F)
<b>Video Input Range</b>	<b>NTSC</b>	<b>PAL</b>	Storage Humidity 20% to 80%, Non-condensing
Vertical Frequency	60Hz	50Hz	<b>Power Requirement</b>
Horizontal Frequency	15.75KHz	15.625KHz	AC Adaptor 90-240 VAC, 50~60Hz
<b>General</b>			DC Voltage 12VDC@5A
Display Element	Active Matrix TFT		<b>Regulatory Approvals</b>
Video Adjustments	Brightness, Contrast, Color, Hue		Monitors FCC, CE, RoHS
Speakers	Internal – Right & Left Channel		Power Supplies UL, CUL, CE, PSE, GS, RoHS
TV Standards	NTSC/ PAL- Auto-detect		<b>Accessories Included</b>
<b>Front Panel Controls</b>			1x Operations Manual
Left, Right Buttons	Menu Navigation and Control		10x Screws
Audio Volume	Increase/Decrease (Note 1)		1x Set Rackmount Ears Tiltable Configuration
Source Select Button	Toggle thru inputs		1x Power Adapter Mounting Bracket
Power Button	On/Off Switch		<b>Product Item Numbers</b>
<b>Limited Warranty</b>			LM-1920R 19" Rackmount Monitor
Unit, except LCD Panel	3 Year Parts and Labor		LM-1520R 15" Rackmount Monitor
LCD Panel	Panel Manufacturer's Terms		<b>Notes</b>
			(1) When not in the Menu Mode, the L/R Buttons are used.

## Panel Drawings

## Rear Panel Connectors



**LM-1920R Front Panel, Rear Panel and Tilt Stand (Common to both Monitors)**



**LM-1520R Front and Rear Panels**

