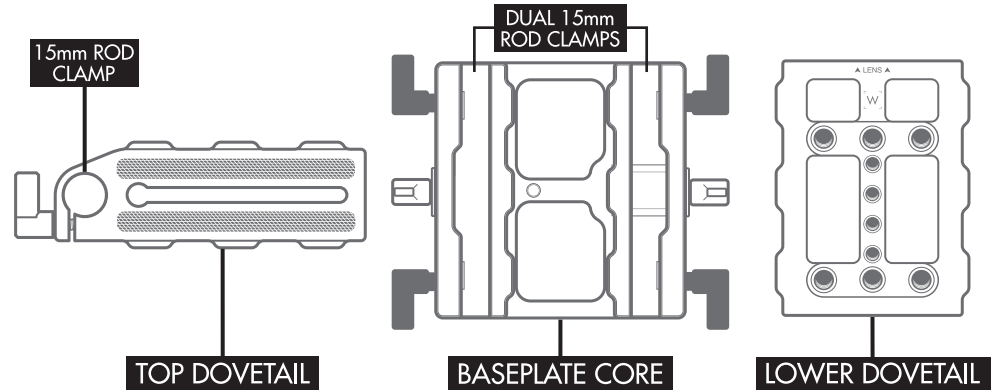


UNIFIED BASEPLATE (SONY FS7, CANON C-SERIES)

Included:

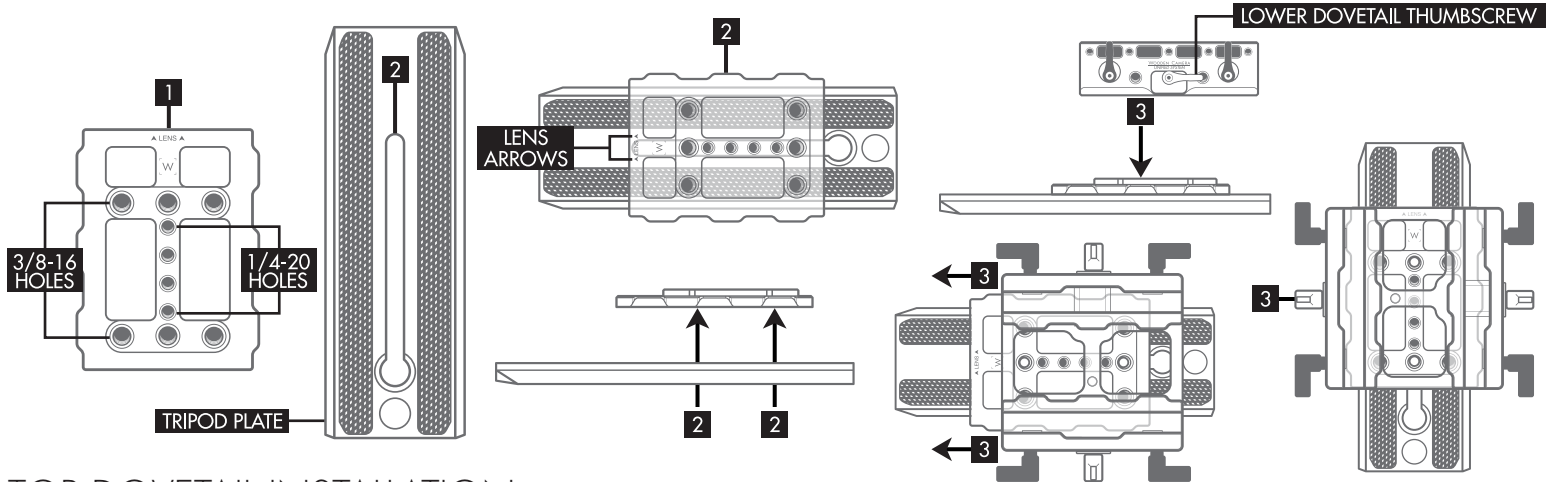
(2) 1/4-20 low profile screw 

(2) 3/8-16 low profile screw 



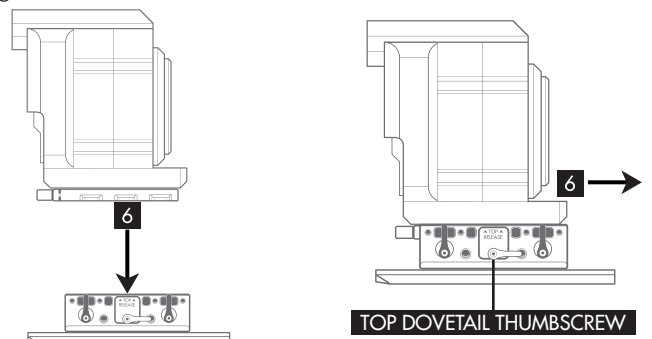
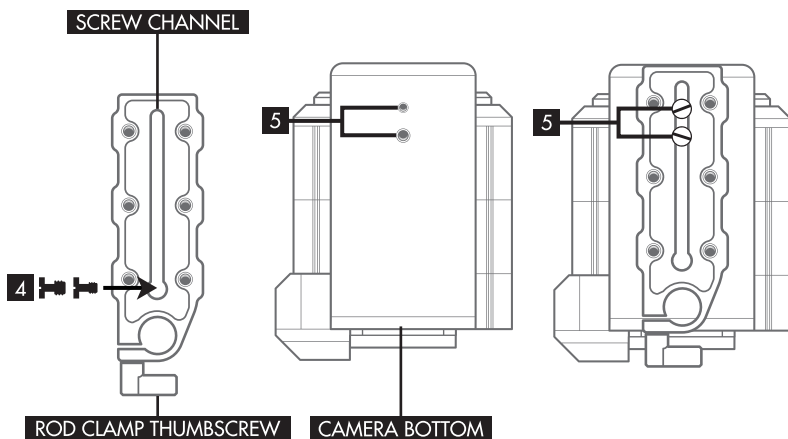
QUICK RELEASE DOVETAIL INSTALLATION

1. Select **LOWER DOVETAIL**, locate the indicated **1/4-20** & **3/8-16 HOLES** as shown below.
2. Attach to **BRIDGEPLATE** or **TRIPOD PLATE** using appropriate screws with **LENS ARROWS** facing forward.
3. Select **BASEPLATE CORE**, with **ROD CLAMPS** facing up and **LOWER DOVETAIL THUMBSCREW** on left side of **LENS ARROWS**, drop **CORE** onto **DOVETAIL**, slide forward and tighten **THUMBSCREW**.



TOP DOVETAIL INSTALLATION

4. Select **TOP DOVETAIL**, locate **SCREW CHANNEL**, and insert one **3/8-16** & **1/4-20** **SCREW**.
5. Locate **1/4-20** & **3/8-16 HOLES** on **CAMERA BOTTOM**, with **VERTICAL ROD CLAMP** facing backward as shown below align and tighten **TOP DOVETAIL** to **CAMERA**.
6. With **CAMERA LENS** facing forward lower **CAMERA** and **TOP DOVETAIL** into **CORE**, slide forward and tighten **TOP DOVETAIL THUMBSCREW**.



VERTICAL 15mm ROD CLAMP INSTALLATION

If using **VERTICAL ROD CLAMP**, insert one **1/4-20** & **3/8-16** **SCREW** into **SCREW CHANNEL**, with **ROD CLAMP** under **LENS MOUNT**, align **15mm HOLE** to desired position and install **UNIFIED LENS ADAPTER SUPPORT KIT***. Tighten screws to camera and **THUMBSCREW** to 15mm support.

*Kit sold separately. SKU: 227900

