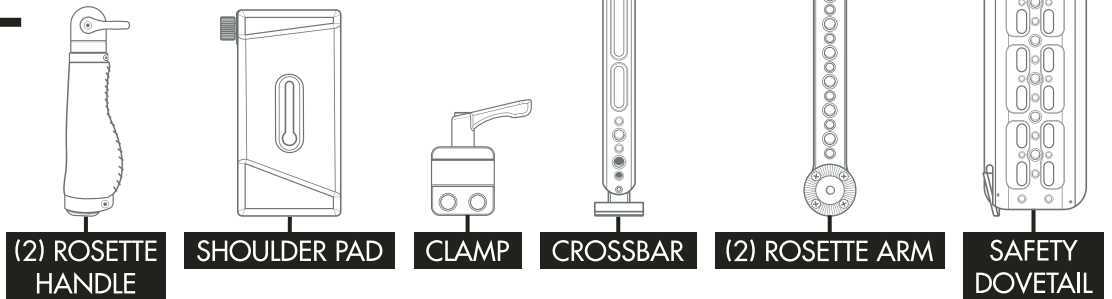


SHOULDER RIG V2 (PREMIUM)

Included:

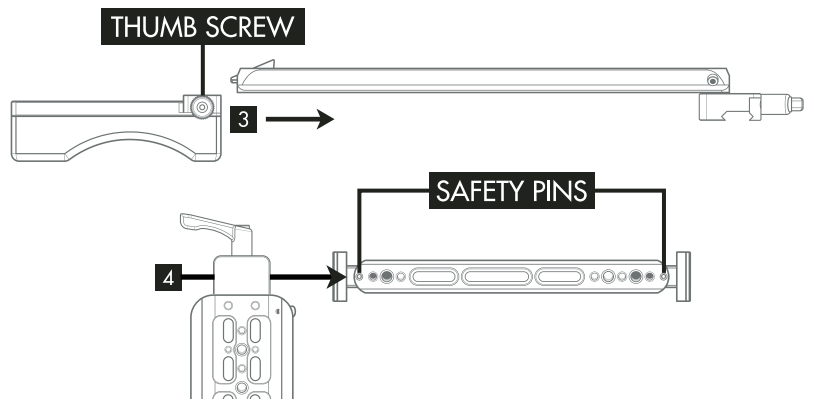
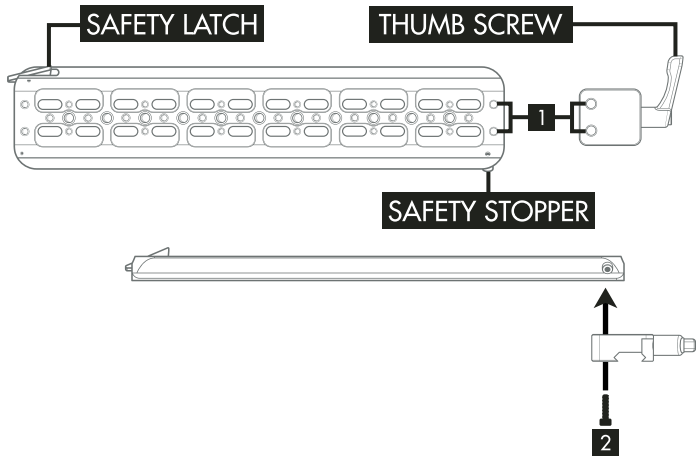
(2) 1/4-20x3/4 socket cap 

3/16 allen wrench 

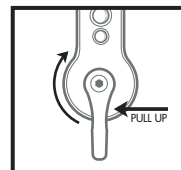
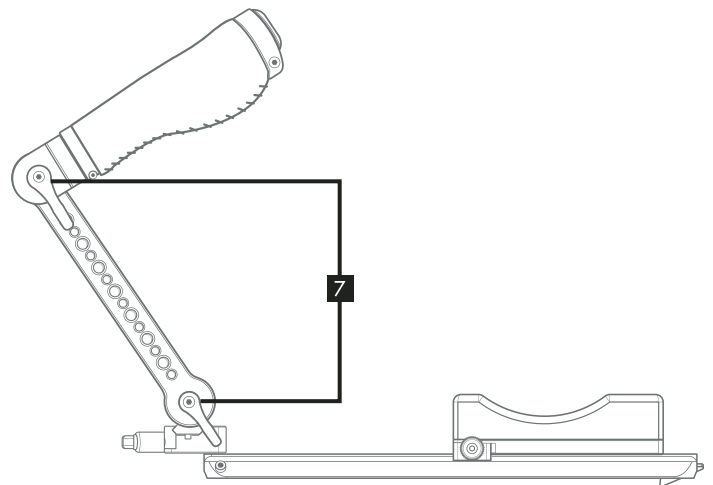
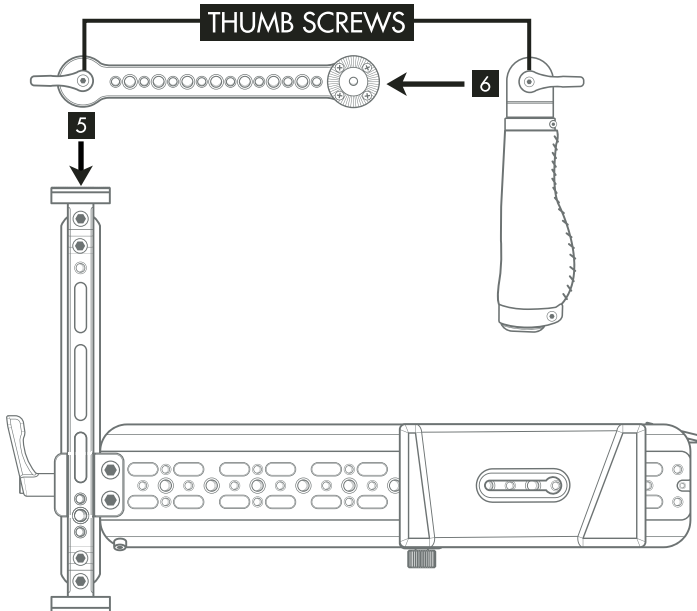


INSTALLATION

1. Select **DOVETAIL** and **CLAMP**, locate and align **1/4-20 HOLES** as shown below.
2. Select and tighten **1/4-20 SCREWS** with allen wrench.
3. Select and slide **SHOULDER PAD** onto **DOVETAIL** as shown below, tighten **THUMB SCREW** to secure.
4. Slide **CLAMP** onto **CROSSBAR** by pushing down **SAFETY PIN**, tighten **THUMB SCREW** to secure.



5. Select **ROSETTE ARMS**, attach to **CROSSBAR** using **THUMB SCREWS**.
6. Select **HANDLES**, attach to **ROSETTE ARMS** using **THUMB SCREWS**.
7. Loosen **THUMB SCREWS** to adjust **HANDLES** and **ROSETTE ARMS** to desired position.



NOTE: THUMB SCREWS can be adjusted by pulling upward and turning to desired position