

# MICRO CAGE (BMMCC, BMMSC)

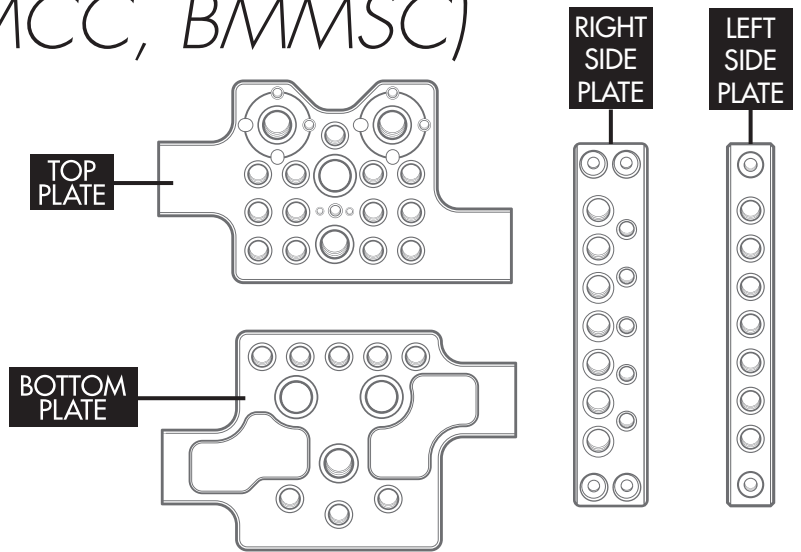
Included:

(3) 1/4-20x1/4 socket cap 

(6) M3x10 socket cap 

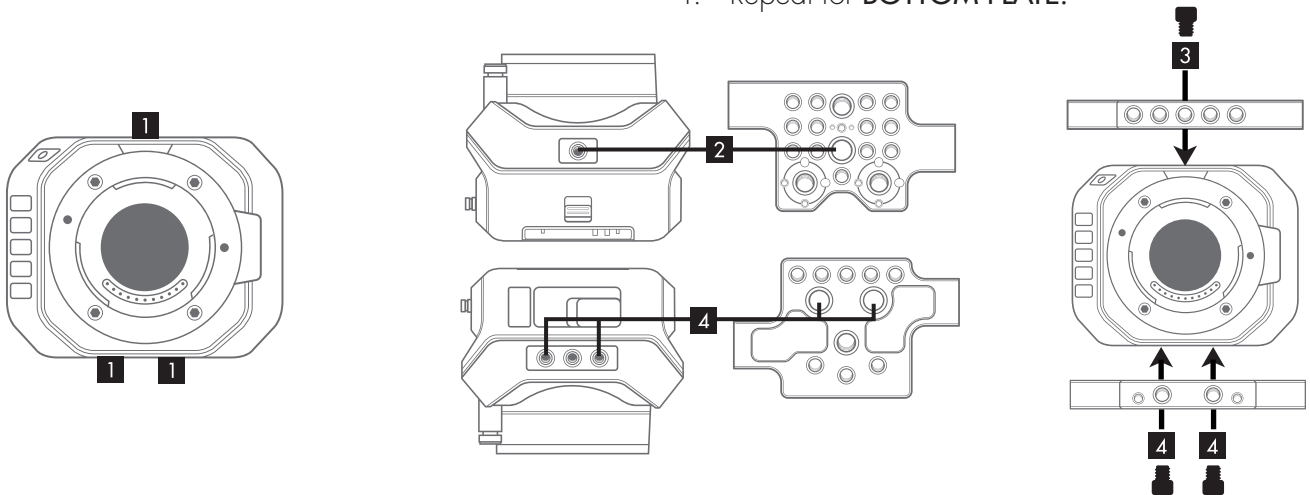
(1) M2.5 allen wrench 

(1) 3/16 allen wrench 



## INSTALLATION

1. Locate **1/4-20 HOLES** on **CAMERA**.
2. Align **TOP PLATE** with **1/4-20 HOLE** on camera.
3. Using the **3/16 allen wrench** and **1/4-20 socket cap** tighten **TOP PLATE** to camera.
4. Repeat for **BOTTOM PLATE**.



5. Select **LEFT SIDE PLATE** and locate **M3 HOLES** on side of both **TOP** and **BOTTOM PLATES**.
6. With larger holes facing towards front of camera align **SOCKET CAP HOLES** on **SIDE PLATE** with **M3 HOLES**.
7. Using the **M2.5 allen wrench** and (4) **M3x10mm socket caps** tighten **SIDE PLATE** to **TOP** and **BOTTOM PLATES**.
8. Repeat for **RIGHT SIDE PLATE**.

