

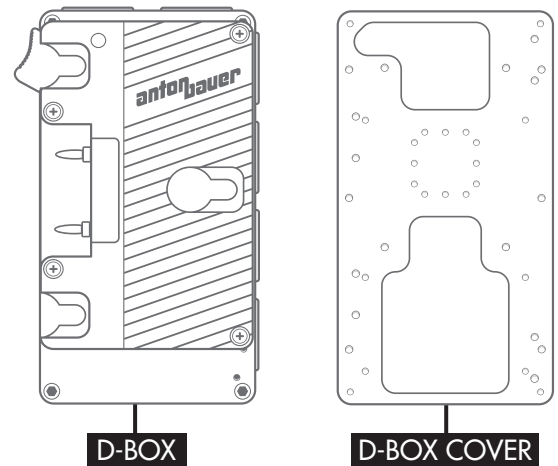
D-BOX (ALEXA MINI, GOLD MOUNT)

Included:

(4) M3x16mm socket caps 

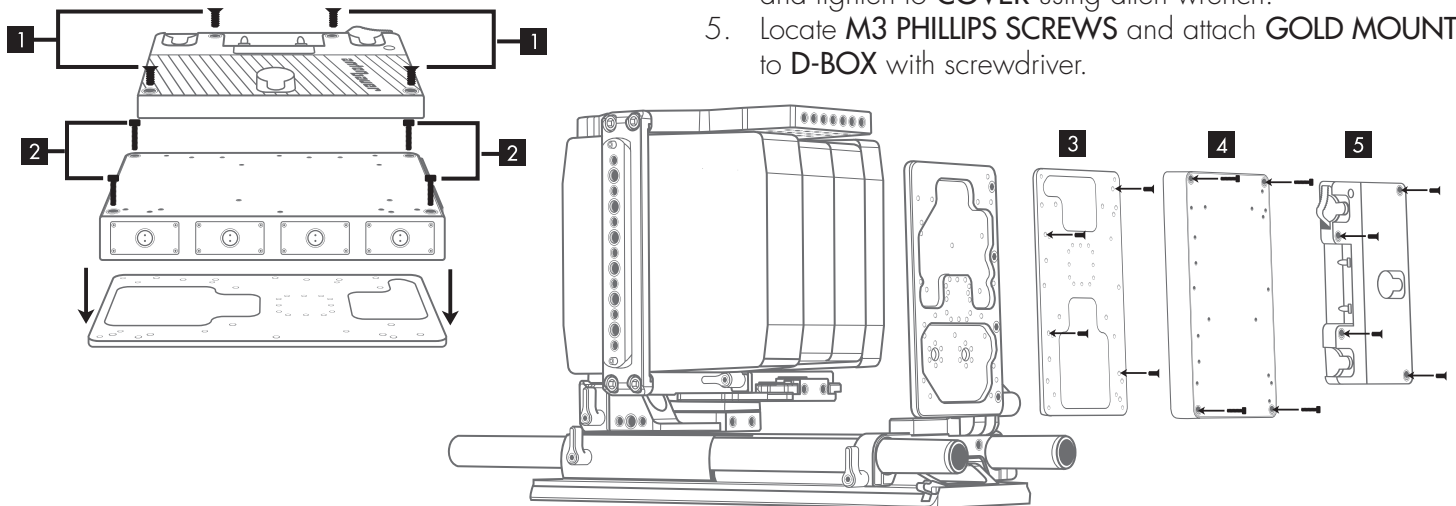
(6) M3x6mm Phillips flat-head screws 

2.5mm allen wrench 



INSTALLATION

1. Loosen **PHILLIPS SCREWS** on **GOLD MOUNT** with screwdriver and remove plate.
2. Loosen **SOCKET CAPS** on **D-BOX** with 2.5mm allen wrench to remove **COVER**.
3. Align **COVER** as shown below, select **M3 PHILLIPS SCREWS**, locate **M3 HOLES**, insert and tighten to battery mounting plate. **BATTERY SLIDE** shown for reference.
4. Select **D-BOX** and **SOCKET CAPS**, locate **M3 HOLES** and tighten to **COVER** using allen wrench.
5. Locate **M3 PHILLIPS SCREWS** and attach **GOLD MOUNT** to **D-BOX** with screwdriver.



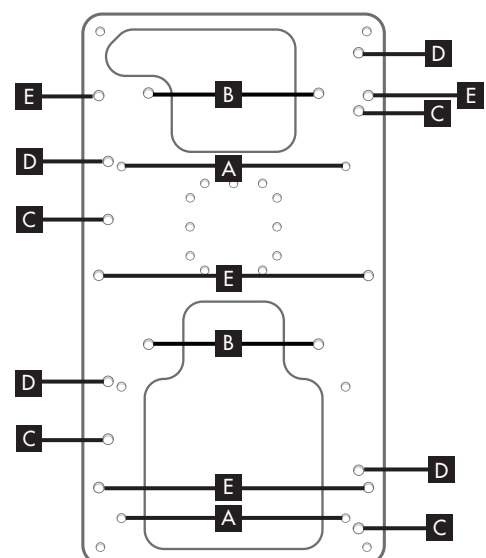
*NOTE: D-BOX can attach to most battery plate hole patterns. See **HOLE CHART** below. D-BOX is also compatible with ARRI BAP-1 .

For attaching to battery mount find appropriate threaded holes by using the **HOLE CHART** below. Insert and tighten **M3 SCREWS** into corresponding hole as shown on **HOLE DIAGRAM**, proceed to step 3 above

HOLE CHART

- A=** Jetpack/Battery Back
- B=** Swit/IDX V-Mount
- C=** A/Bauer QRC (Low Position)
- D=** A/Bauer QRC (High Position)
- E=** RED/Blueshape

HOLE DIAGRAM



NOTE: The ARRI Alexa Mini can use battery voltages from 10.5 to 34 volts DC, but the camera has a user-programmable low voltage warning with a default value of 22.4 volts. When using V-Mount or Gold Mount batteries, the user should use the menu "System" and "Power" to change the warning level to preferably 12.4 volts to allow a good operating margin.