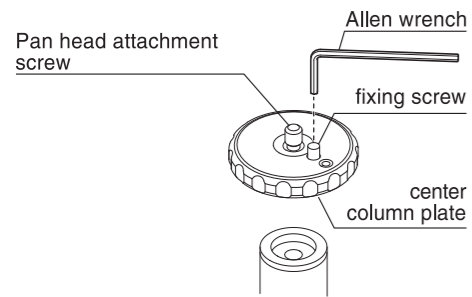
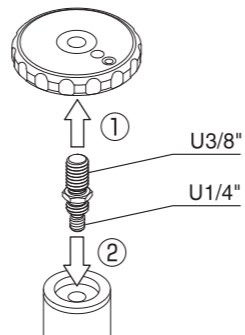


## Convert the Pan head attachment screw to U3/8"



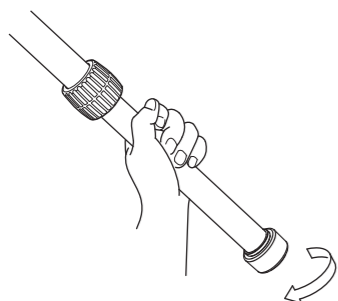
When converting pan head attachment screw of the center column from U1/4" to U3/8", loosen the fixing screw with an allen wrench (2.5mm width) and rotate the center column plate counterclockwise to remove it from the center column.



- ① Flip the pan head attachment screw and screw it into the center column plate
- ② Screw in the center column plate to the center column, and tighten the fixing screw to avoid rotating the center column plate while in use.

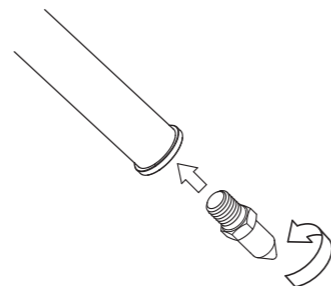
## Replacing the leg tips

### ⚠ Caution



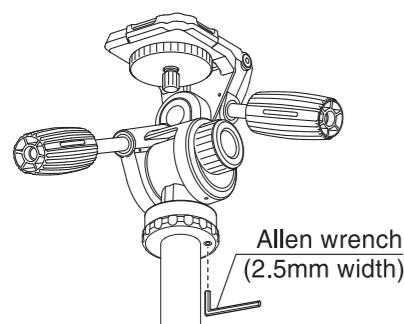
The leg tips can be converted to the spike leg tips or large rubber feet. Hold the leg pipe tightly and loosen the rubber leg tip. The leg pipe may be damaged if you hold the leg pipe other than lowest part.

### ⚠ Caution



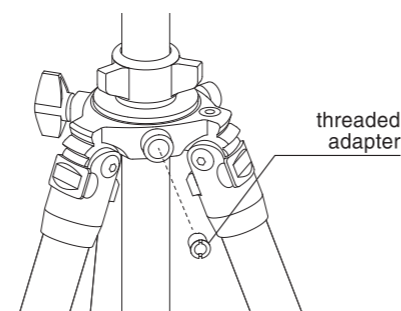
Screw the spike leg tip into the leg pipe until it comes stop. Then the spike leg tip must be further tightened with the included wrench. Always use the attached wrench for replacement to avoid pipe damage.

## Head fixing screw



When using heavy equipment such as field scopes or telephoto lenses, use the head fixing screw to prevent the platform and tripod from loosening. Use allen wrench to lock the head from the bottom of each tripod base.

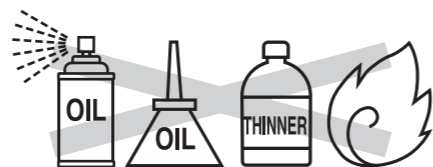
## Accessory connection thread



The accessory connection thread on the side of the main body is equipped with a U1/4" (U3/8" by removing threaded adapter) screw, and variety of accessories can be attached to the tripod.

## Care of the tripod

- DO NOT apply any grease or oil to this product.
- Clean with a mild detergent and a soft cloth only.
- DO NOT use close to flame. Avoid extreme heat.



Slik Corporation reserves the right to make changes in design and/or improvements on the products without any obligation and advanced notice.

# SLIK®

## VARI CF-703, 704

### Operating Instructions

Thank you very much for choosing SLIK products. The SLIK Corporation has designed your tripod to be a sturdy, rugged, dependable product that will provide you with many years of satisfactory use. Please take a few moments to read this operating instructions carefully before use so that you can take full advantage of your Tripod's many fine features.

Retain this operating instruction sheet in case you might want to refer back to it.

### ⚠ Caution

This caution icon refers to information pertaining to important safety procedures in preventing injuries, or damages which may occur as a result of mishandling this product.

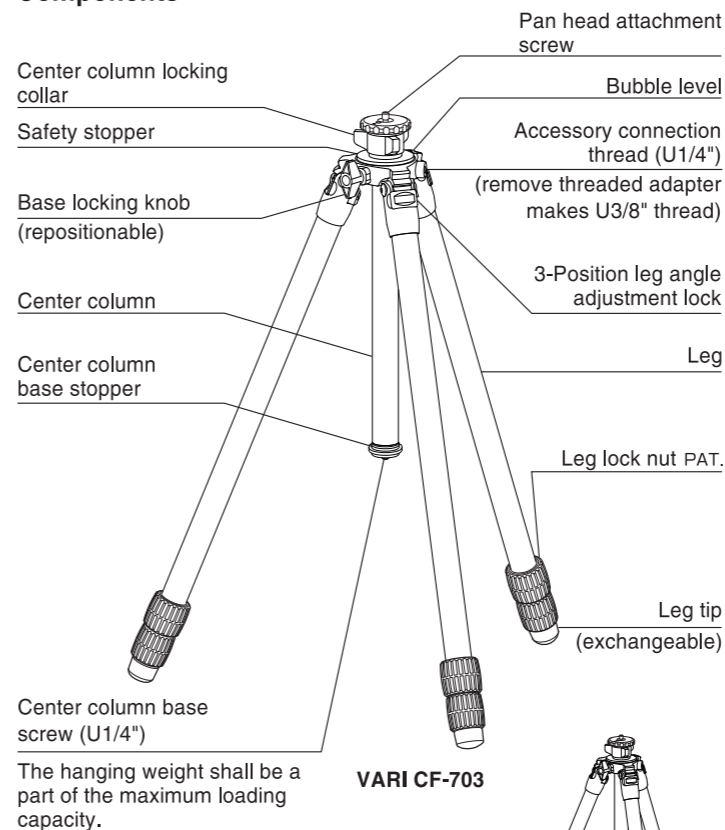
### ⊘ Prohibition

This prohibited icon refers to information pertaining to prohibited contents. Please refer to instructions closely to avoid accidents.

With exclusive case

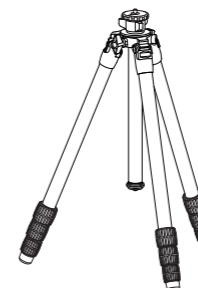
V423

## Components



The hanging weight shall be a part of the maximum loading capacity.

VARI CF-703



VARI CF-704

### ⚠ Caution

\*Bubble level on the tripod is a rough criterion. It's not so accurate as a level on a camera.

## Equipment that can be loaded on this tripod

### ⊘ Prohibition

Maximum loading capacity:

VARI CF-703 :8kg

VARI CF-704 :8kg

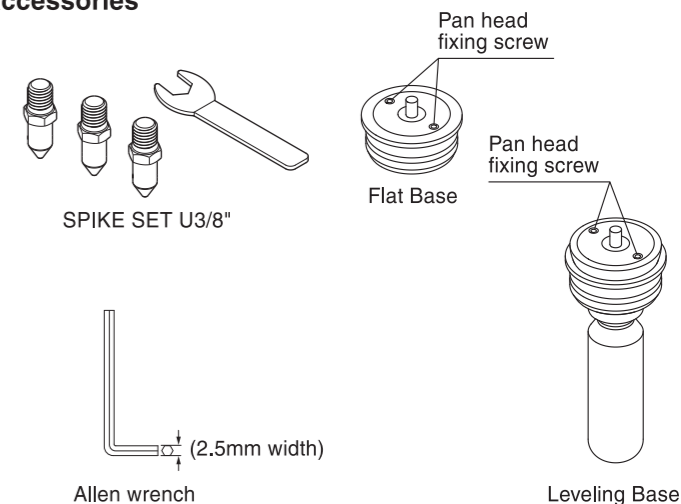
Do not exceed the specified loading capacity. Some equipment weighing under 8 kgs(17.6 lbs), such as long lenses, may not balance well due to its weight distribution. In such case, please use a larger tripod.

## In case of the shock given to tripod by force

### ⚠ Caution

When the shock has been given to the tripod and legs such as falling down, please check for cracks, flaws, etc. on the pipes. When you find some cracks, flaws, etc. on the pipes, discontinue use and contact customer support. When damaged it is possible that carbon fibers will splinter from the pipes. In that case do not touch it.

## Accessories

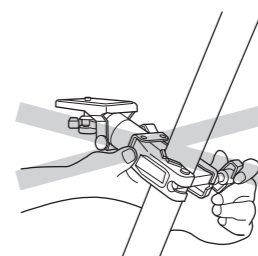


## Specification

	Flat Base	Leveling Base	Center Column
<b>VARI CF-703</b>			
Folded length	575mm (22.7 in)	580mm (22.9 in)	600mm (23.7 in)
Max. operating height	1,335mm (52.5 in)	1,340mm (52.7 in)	1,635mm (64.3 in)
Max. center column ext.			270mm (10.6 in)
Weight	1,095g (2.42 lbs)	1,220g (2.69 lbs)	1,235g (2.73 lbs)
<b>VARI CF-704</b>			
Folded length	475mm (18.7 in)	480mm (18.9 in)	500mm (19.7 in)
Max. operating height	1,340mm (52.7 in)	1,345mm (52.9 in)	1,640mm (64.5 in)
Max. center column ext.			270mm (10.6 in)
Weight	1,155g (2.55 lbs)	1,280g (2.83 lbs)	1,295g (2.86 lbs)

## Clamp head

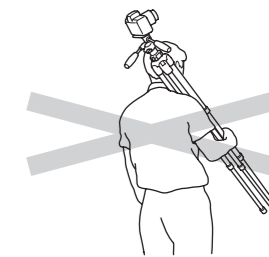
### ⊘ Prohibition



Please do not use an optional clamp head for a carbon fiber tripod. The pipe may be damaged.

## Carrying the tripod

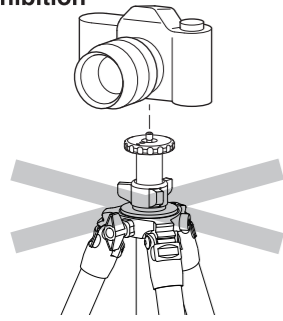
### ⊘ Prohibition



Carrying a tripod with a camera left on can result in unexpected accidents. We, therefore, recommend that you remove your camera while carrying the tripod.

## Pan head mounting post

### ⊘ Prohibition



Do not attach a camera directly to the pan head attachment screw of the center column, flat base or leveling base. This may damage both your camera and tripod.

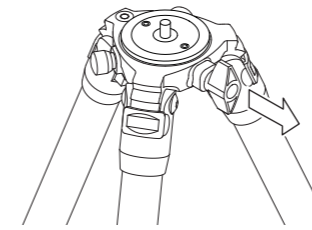
## Setting up

### ⚠ Caution



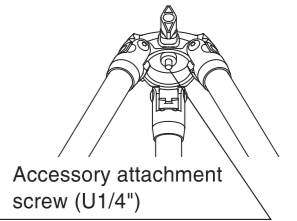
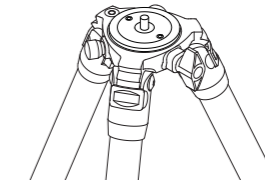
To prevent accidental equipment fall or tripod tipping over, making sure all levers, knobs and handles on the tripod are securely tightened. And all three legs are opened completely. Insufficient leg opening may cause camera vibration or tripod to flip over.

## Replacing the base (continue)



The base lock knob can be repositioned to the desired position. When the base lock knob interferes with the bottom of the camera or the head, you can pull out the lever and adjust the angle every 60 degrees.

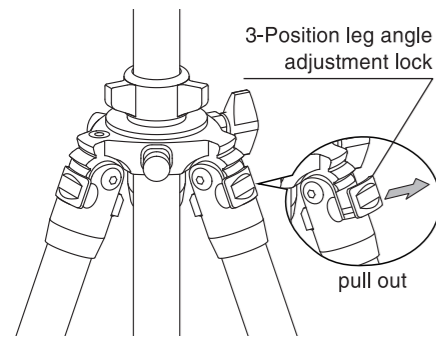
## Flat base



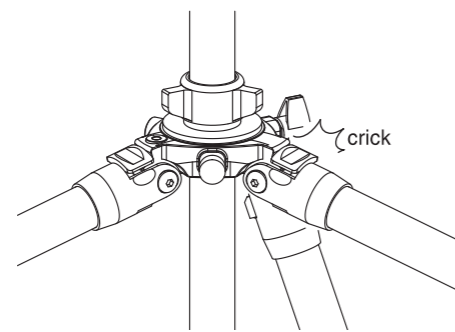
Accessory attachment screw (U1/4")  
The weight of the attached accessory shall be a part of the maximum loading capacity.

The flat base is useful when shooting in a low position or when you want to lighten the equipment. The flat base has a U1/4" screw at the bottom, and you can install some optional accessories such as the Elevator Hook 2 and etc.

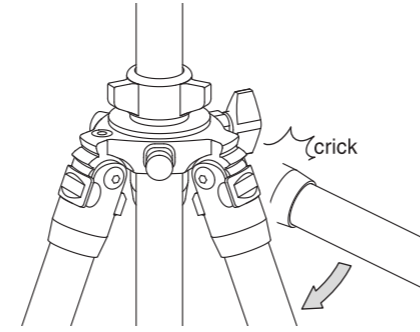
## Change leg angle (semi-ratchet mechanism)



To change the angle of each leg, close the leg slightly, and then pull leg angle adjustment lock out.

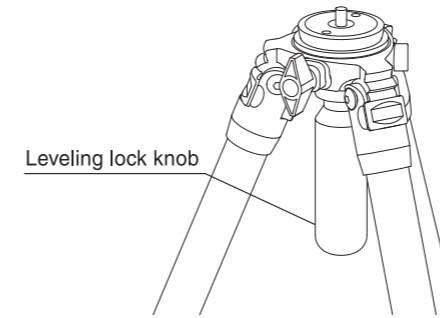


Move the leg up slowly, it will make a crick sound at a certain point. Move the leg up until stop, this position is the low position.

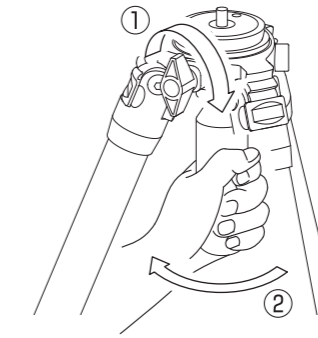


Close the leg further, a middle position or regular leg position can be chosen

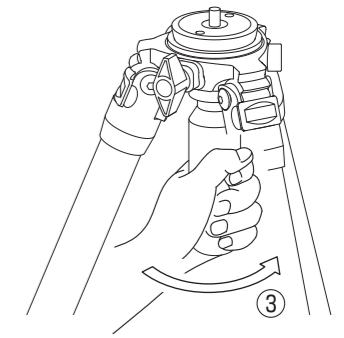
## Leveling base



The leveling base is useful for leveling the equipment when shooting videos or taking landscape photos.

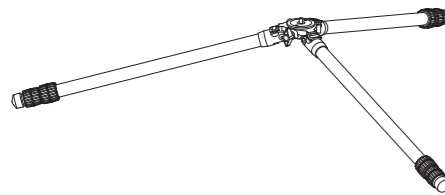


① Make sure the base lock knob is securely fastened.  
② Twisting the leveling knob clockwise frees the leveling base and allows you to adjust the horizon.



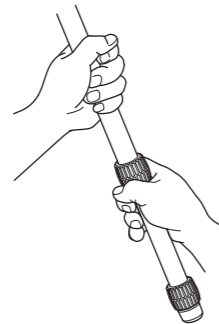
③ When the horizontal position is acquired, twist the leveling knob counter-clockwise.

## Low position

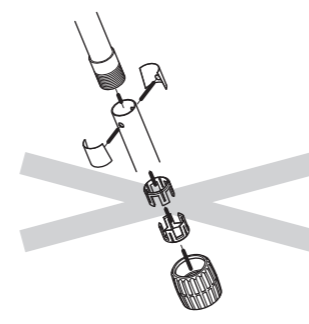


Low position provides dynamic shot close to the ground.

## Extending the tripod legs

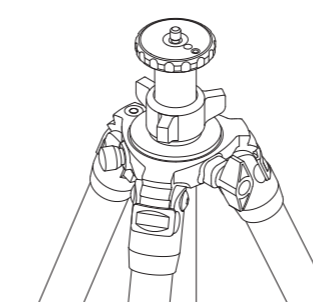


When the leg lock nut is turned to counter-clockwise, leg lock mechanism will be released and lower section of leg can be extended. Once you have pulled the leg out to the desired position, turn the leg lock nut clockwise to fix the leg.

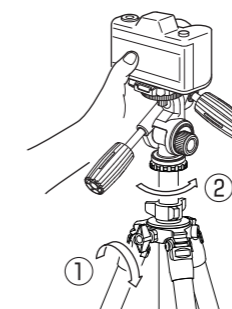


Do not remove the leg lock nut and inner parts. It will cause tripod malfunction or result in missing parts. In case the leg unit is disassembled, please refer to the figure below to reassemble the parts correctly.

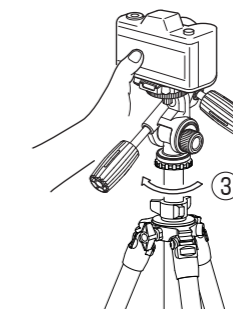
## How to use the center column



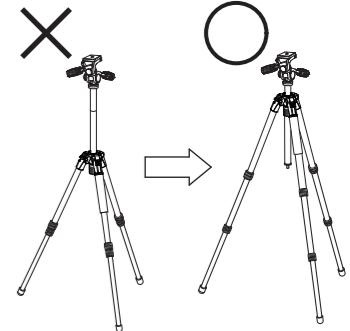
The center column is useful for fine-tuning the camera heights and shooting from high positions.



① Make sure the base lock knob is securely fastened  
② Hold the camera and twist the center column lock collar counterclockwise



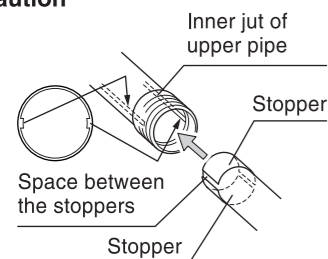
③ When desired camera height is acquired, twist the center column locking collar clockwise and lock the center column.  
Do not tighten the center column locking collar knob too hard. This may cause damage to the center column.



To prevent image blur, please use the center column without stretching as much as possible. When extending the legs, please extend from the largest pipe.

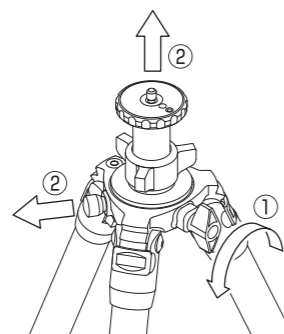
## Reassemble the parts

### ⚠ Caution

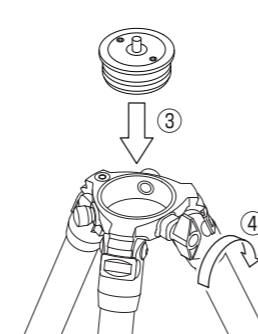


Match the space between two stoppers and inner jut of upper pipe when the pipe is inserted. If you are not able to reassemble the unit correctly, please ask store where you purchased or contact customer service. (Not covered by free repair warranty.)

## Replacing the base

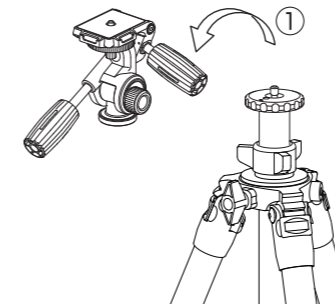


When replacing the base,  
① Loosen the base lock knob  
② Pull the safety stopper and pull the base from the tripod body

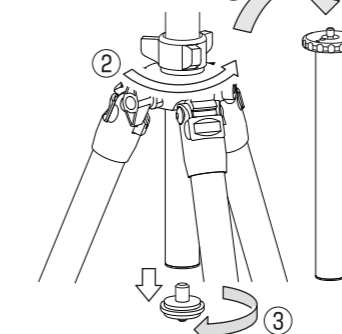


③ Insert replacement base to the tripod body  
④ Tighten the base lock knob securely to hold the base

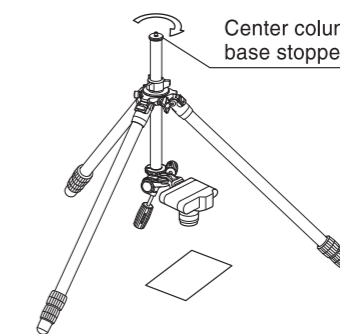
## Flip the center column upside down



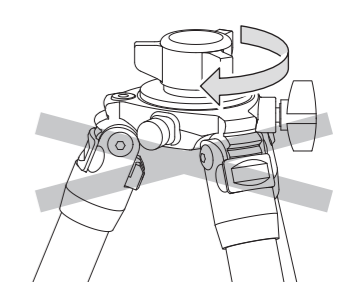
① Remove head from the center column before flipping the center column



② Loose the center column locking collar  
③ Remove the center column base stopper, and pull out the center column from tripod body



Insert the center column from the bottom of the tripod body and make sure put the center column base stopper back to the center column.



Do not rotate the center column locking collar while the center column is removed. It may damage internal parts.