

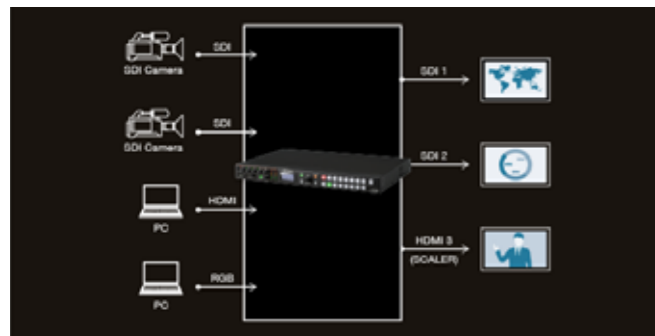
Rackmount Switcher for Live Production and Fixed Installations with PTZ Camera Control

- 4 SDI Inputs (with de-interlacer)
- 2 HDMI Inputs (scaled)
- RGB/COMPONENT/COMPOSITE input (scaled) – shared with HDMI input 6
- 2 SDI Outputs – assignable to PGM, PVW, AUX
- 2 HDMI Outputs – assignable to PGM, PVW, AUX
- 1 HDMI Output (scaled / multi-view) – multi-view or scaled output
- TALLY/GPIO
- RS-232 – Remote control
- RS-422 – PTZ Control (VISCA)
- LAN – Remote control and Smart Tally (PTZ Control (VISCA))



MATRIX Mode

Individual video input signals can be output to three different destinations on three buses. This mode is effective for routing signals and is ideal for events and using multiple screens. A black background is displayed when switching feeds.



PGM / PST Mode

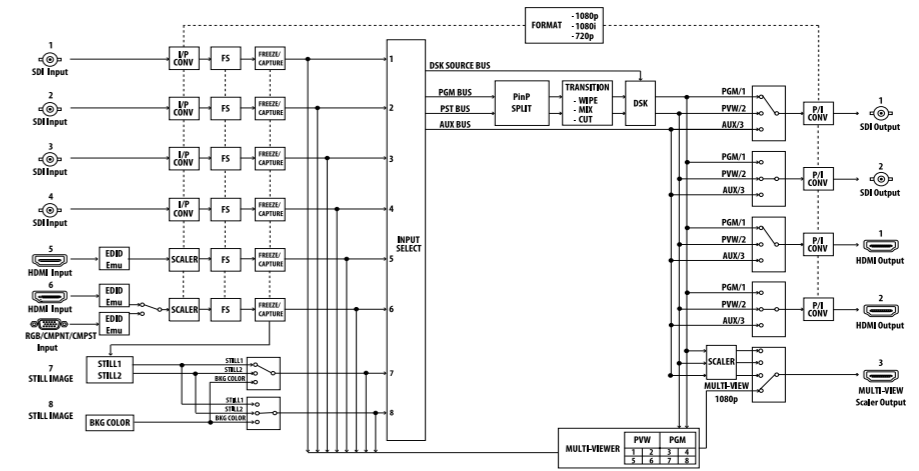
PGM/PST Mode operates as a traditional video switcher complete with video compositions that enable grouping multiple images on one screen. You can create compositions by combining DSK for layering titles and graphics as well PinP inset of video. Compositions can be previewed before sending to Program on the Preview output and can be sent to Program by pressing the TAKE button.

DISSOLVE Mode

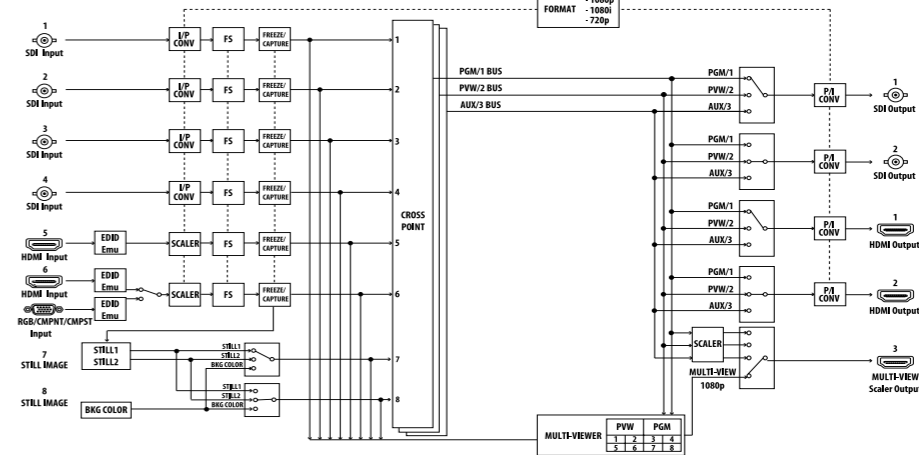
Video switching and composition with cross dissolve to the PGM bus are possible in Dissolve Mode. Dissolve Mode is easily operated from the front panel and is suitable for a system where the user directly operates the main unit in a meeting space or event.

BLOCK DIAGRAM

VIDEO

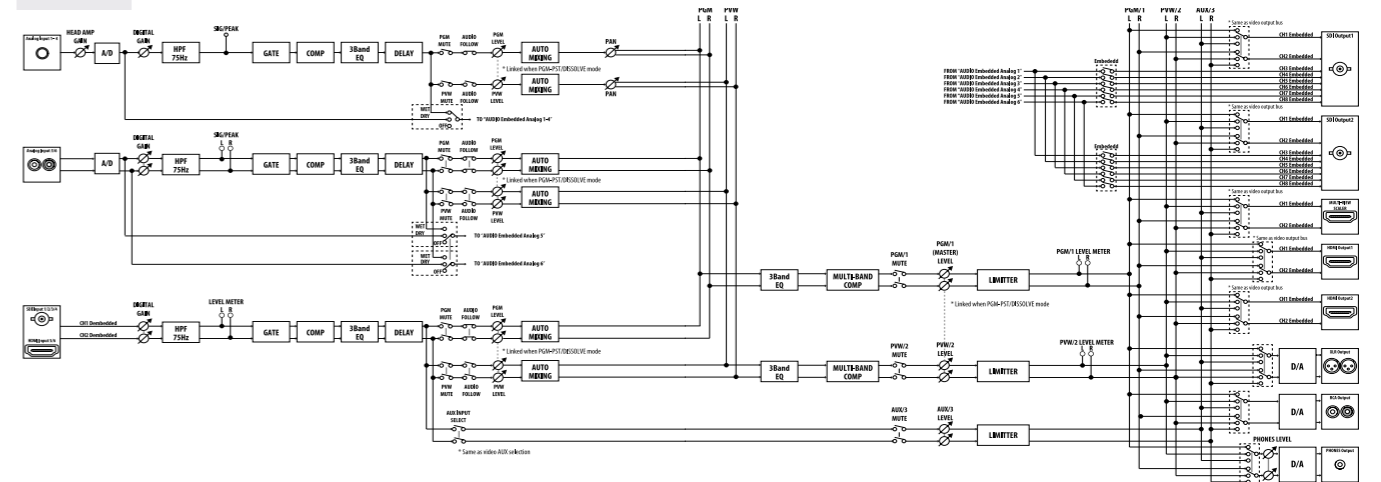


DISSOLVE MODE



MATRIX MODE

AUDIO



FEATURES



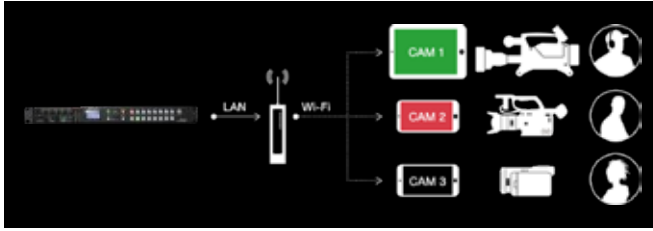
PTZ Control

Achieve multiple camera angles for fixed installations by controlling up to six PTZ cameras using VISCA protocol. Save and recall seven position settings for each camera.

XS-62S System Program Ver 2.5

The Ver.2.5 update supports JVC, Panasonic PTZ and Canon camcorder control, audio effect preset, adds PNG still image format, improves User interface, and more.

Smart Tally



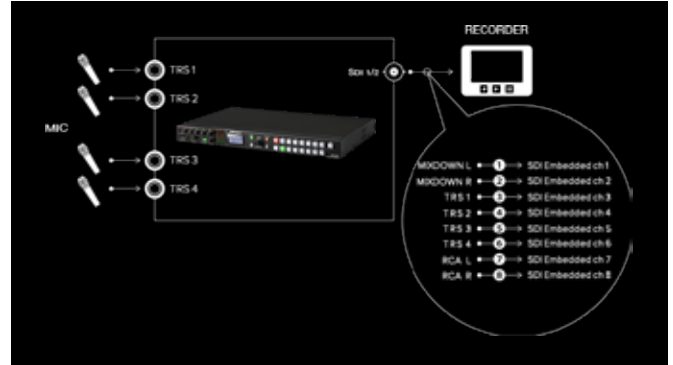
Roland's unique and proprietary wireless tally system uses a wireless LAN router connected to the XS-62S to send tally information to iOS or Android devices on the network.

Remote Control

An easy-to-use software application XS-62S RCS for Mac or PC provides setup and control information for the Roland XS-62S through a network port. Copy, store and recall memory (backup) and preset settings. The XS-62S is equipped with an RS-232 and LAN port for control and operation remotely from a touch panel or other programmable interface device.

Discrete Multi-channel Audio Embedding

Assign up to eight analog audio inputs a separate audio embed channel on SDI 1 and 2 outputs to ensure a separate mix pre-effect (dry) or post-effect (wet) for correcting audio problems post live event. This feature is also useful for multi-language events to record the voice-over or language translation on its own audio channel to a separate master.



SPECIFICATIONS XS-62S

| VIDEO | |
|-------------------------------|--|
| Processing | 4:2:2 (Y/Pb/Pr), 8-bit |
| Input Connectors | SDI IN 1--4: BNC type x 4 * Conforms to SMPTE 424M (SMPTE 425M-AB), 292M HDMI IN 5--6: HDMI type A x 2 * HDCP Supported * Multi-format Supported RGB/COMPONENT/COMPOSITE IN 6: HD DB-15 type x 1 * Select either HDMI or RGB/COMPONENT or COMPOSITE for the INPUT 6 connector. * Multi-format Supported |
| Output Connectors | SDI OUT 1--2: BNC type x 2 * Conforms to SMPTE 424M (SMPTE 425M-AB), 292M HDMI OUT 1--3: HDMI type A x 3 * HDCP Supported |
| Analog Input Level, Impedance | RGB: 0.7Vp-p, 75ohms (H, V:5VTTL) COMPONENT: 1.0Vp-p, 75ohms(Bi-level sync/Tri-level sync) COMPOSITE: 1.0Vp-p (Y), 0.286Vp-p (C: NTSC), 0.3Vp-p (C: PAL), 75ohms |
| Input formats | SDI IN 1--4: Conforms to SMPTE 296M, SMPTE 274M, 720/59.94p, 720/50p(SYSTEM FORMAT = 720p) 1080/59.94i, 1080/50i, 1080/59.94p, 1080/50p (SYSTEM FORMAT = 1080i or 1080p) * The input interlaced video signal is converted to progressive video signal by internal processing. * The video signal frame rate can be selected at the SYSTEM menu (59.94 Hz or 50 Hz). HDMI IN 5--6, RGB/COMPONENT/COMPOSITE IN 6: 480/59.94i, 576/50i, 480/59.94p, 576/50p, 720/59.94p, 720/50p, 1080/59.94i, 1080/50i, 1080/59.94p, 1080/50p, VGA (640 x 480, 60 Hz), SVGA (800 x 600, 60 Hz), XGA (1024 x 768, 60 Hz), WXGA (1280 x 800, 60 Hz), SXGA (1280 x 1024, 60 Hz), FWXGA (1366 x 768, 60 Hz), SXGA+ (1400 x 1050, 60 Hz), UXGA (1600 x 1200, 60 Hz), WUXGA (1920 x 1200, 60 Hz) * The refresh rate is the maximum value of each resolution. * Conforms to VESA DMT Version 1.0 Revision 11. * 1920 x 1200, 60 Hz: Reduced blanking * The input interlaced video signal is converted to progressive video signal by internal processing. * The video signal frame rate can be selected at the SYSTEM menu (59.94 Hz or 50 Hz). |
| Still Image | Windows / Mac OS bitmap (.bmp), PNG (It cannot support alpha) * Maximum 1920 x 1080 pixels, 24-bit color, uncompressed. * It can be stored up to 2 files in the internal memory. |
| Output formats | SDI OUT 1--2: Conforms to SMPTE 296M, 274M HDMI OUT 1--2: 720/59.94p, 720/50p (System Format = 720p) 1080/59.94i, 1080/50i (System Format = 1080i), 1080/59.94p, 1080/50p (System Format = 1080p) * The video signal frame rate can be selected at the SYSTEM menu (59.94 Hz or 50 Hz). HDMI OUT 3 (MULTI-VIEW): 1080/59.94p, 1080/50p HDMI OUT 3 (SCALER): 480/59.94p, 576/50p, 720/59.94p, 720/50p, 1080/59.94p, 1080/50p, SVGA (800 x 600, 60 Hz)(*1), XGA (1024 x 768, 60 Hz)(*1), WXGA (1280 x 800, 60 Hz)(*1), SXGA (1280 x 1024, 60 Hz)(*1), FWXGA (1366 x 768, 60 Hz)(*1), SXGA+ (1400 x 1050, 60 Hz)(*1), UXGA (1600 x 1200, 60 Hz), WUXGA (1920 x 1200, 60 Hz) * Select either MULTI-VIEW or SCALER for the HDMI OUT 3 connector. * The video signal frame rate can be selected at the SYSTEM menu (59.94 Hz or 50 Hz). * 1920 x 1200, 60 Hz: Reduced blanking (*1) Output refresh rate is 75 Hz when frame rate is set to 50Hz. |
| Video Effects | Output Mode: PGM-PST, DISSOLVE, MATRIX Transition: CUT, MIX (DISSOLVE/FAM/NAM)(*1), WIPE (30 types)(*1) Composition: PinP (SQUARE, CIRCLE, HEART, DIAMOND)(*1), SPLIT (4 types) (*1), DSK (Luminance Key, Chroma Key)(*1) Other: Flip horizontal, Still Image Capture, Still Image Playback, Test pattern output, Input Freeze (*1) These effects depend on Output Mode |

| AUDIO | |
|-------------------------|---|
| Audio Processing | Sampling rate: 24 bits/48 kHz |
| Audio formats | SDI IN: Linear PCM, 24 bits/48 kHz, 2 ch (Conforms to SMPTE 299M) SDI OUT: Linear PCM, 24 bits/48 kHz, 8 ch (Conforms to SMPTE 299M) HDMI IN, HDMI OUT: Linear PCM, 24 bits/48 kHz, 2 ch |
| Input Connectors | SDI IN 1--4: BNC type x 4 HDMI IN 5--6: HDMI Type A x 2 AUDIO IN 1--4: 1/4-Inch TRS phone type AUDIO IN 5--6: RCA phono type |
| Output Connectors | SDI OUT 1--2: BNC type x 2 HDMI OUT 1--3: HDMI type A x 3 AUDIO OUT: XLR type, RCA phono type PHONES: Stereo 1/4-inch phone type |
| Input Level | AUDIO IN 1--4: -60--+4 dBu (Maximum input level: +22 dBu) AUDIO IN 5--6: -10 dBu (Maximum input level: +8 dBu) |
| Input Impedance | AUDIO IN 1--4: 10 k ohms (HEAD AMP GAIN: 0--+23 dBu), 5 k ohms (HEAD AMP GAIN: +24--+64 dBu) AUDIO IN 5--6: 15 k ohms |
| Output Level | AUDIO OUT: +4 dBu (XLR type, Maximum input level: +22 dBu), -10 dBu (RCA phono type, Maximum input level: +8 dBu) PHONES: 92 mW + 92 mW (32 ohms) |
| Output Impedance | AUDIO OUT: 600 ohms (XLR type), 1 k ohm (RCA phono type) PHONES: 10 ohms |
| Audio Effects | Auto Mixing, EQ, Delay, Compressor, HPF, Gate, Reverb, Multi-Band Compressor, Limiter |
| OTHERS | |
| Other Connectors | USB MEMORY port (for USB flash drive): USB A type TALLY/GPIO: DB-25 type (Female) RS-232: DB-9 type (Male, for remote control) RS-422: DB-9 type (Female, for VISCA control) CONTROL: RJ45, 100BASE-TX (For remote control) |
| Other Functions | Preset Memory (8 types), Panel Lock Function, EDID Emulator, Smart Tally Remote Camera Control |
| Display | Graphic LCD 128 x 64 dots |
| Power Supply | AC Adaptor |
| Current Draw | 2.6 A |
| Power Consumption | 31.0 W |
| Operating Temp. | +0 to +40 degrees Celsius, +32 to +104 degrees Fahrenheit |
| Dimensions | 481 (W) x 333 (D) x 44 (H) mm, 118-15/16 (W) x 13-1/8 (D) x 1-3/4 (H) inches |
| Weight (excl. AC adapt) | 3.6 kg, 7 lbs 15 oz |
| Accessories | Owner's Manual, AC adaptor, Power cord, Rubber Foot x 4 |

(0dBu=0,775Vrms)