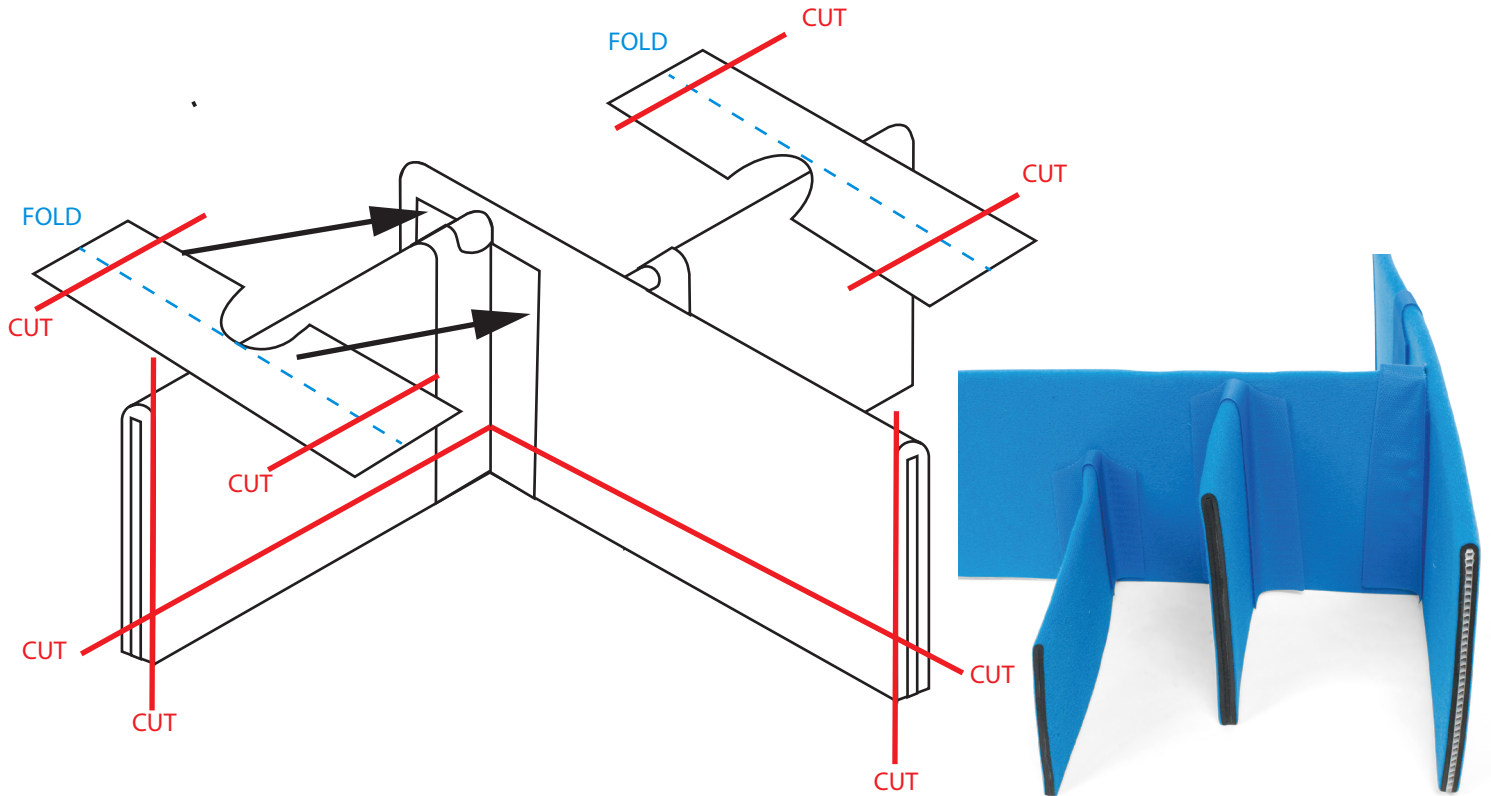


## Universal divider kits

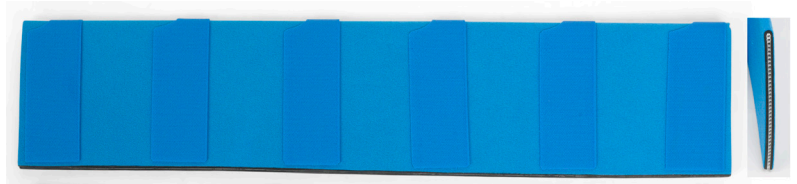
The Orca bags universal divider kit was design to help and support , users with adding or replacing internal dividers in selected ORCA BAG. The dividers kit can be cut to any length and height. Using the "Hooks & loops " that are coming with the dividers kit. It was never so easy to set up the dividers inside the bags in any configuration as per the users needs.



### OSP-G60 Universal RIGID divider kit.

OSP-G60 Rigid divider KIT: Come with 6 Hooks & loops fasteners.

Model	Dimension: cm/inch	Weight: Kg/ Lb
OSP-60	Max Length: 65 cm /25.5" Max Height: 15 cm /6"	0.150kg 0.33 Lb



### OSP-G61 Universal SEMI RIGID divider kit.

OSP-G61 SEMI Rigid divider KIT: Come with 8 Hooks & loops fasteners.

Model	Dimension: cm/inch	Weight: Kg/ Lb
OSP-61	Max Length: 50 cm /19.5" Max Height: 15 cm /6"	0.150kg 0.33 Lb



### OSP-G62 Universal SIMPLE divider kit.

OSP-G62 SIMPLE divider KIT: Come with 10 Hooks & loops fasteners.

Model	Dimension: cm/inch	Weight: Kg/ Lb
OSP-62	Max Length: 5019.6" Max Height: 10 cm /4"	0.150kg 0.33 Lb

