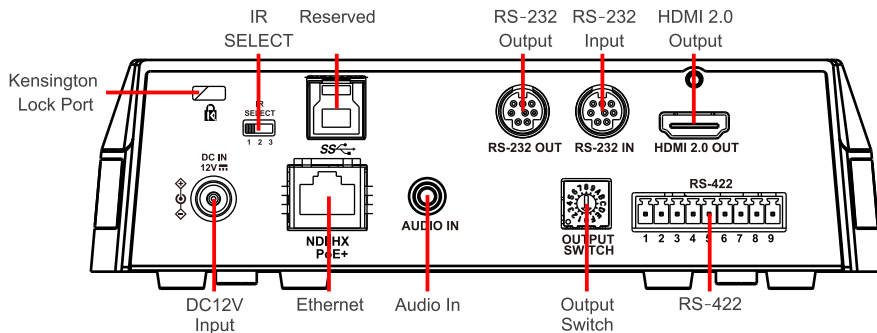


VC-A71PN Quick Installation Guide

1. A view of the camera's I/O interface



*USB 3.0 is a reserved hole. The current firmware does not support this function. Please refer to the firmware update information on the webpage for the official release schedule.

2. Instruction on DIP SWITCH Setting

2.1 OUTPUT SWITCH

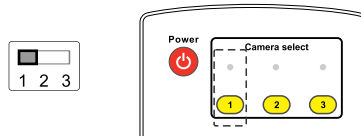


The factory setting for the resolution is 2160p/59.94

Setting	Output Mode
0	2160p/59.94
1	2160p/50
2	2160p/29.97
3	2160p/25
4	1080p/59.94
5	1080p/50
6	1080p/29.97
7	1080p/25
8	720p/59.94
9	720p/50
A	Reserved
B	Reserved
C	1080i/59.94
D	1080i/50
E	Reserved
F	Reserved

2.2 IR SELECT

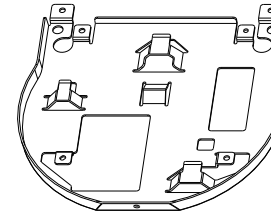
After the IR SELECT is configured, it can be switched from the Camera Select on the remote control



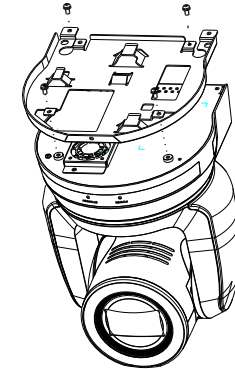
ID	Setting
1	<input type="checkbox"/>
2	<input type="checkbox"/>
3	<input type="checkbox"/>

3. Install the camera on the ceiling

1. Please adjust the resolution on **DIP Switch** prior to installation.
(Please refer to [2. Instruction on DIP SWITCH Setting](#))
2. Remove 4 pieces of foot pads on the bottom of the camera by rotating the foot pads counterclockwise.
*Please keep the foot pads properly after removal and store them for future use.
3. Fix the metal plate **A** on the machine base with **4 M3** silver screws.



metal plate A



4. Lock the metal plate **B** on ceiling mounted hanger

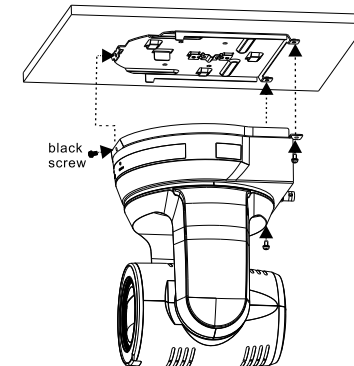
*Caution:

- (1) Please use the hanger that has obtained UL security approval.
- (2) Please reserve the hole for the connecting wires of the camera.

5. Combine the metal plate **A** and the metal plate **B**

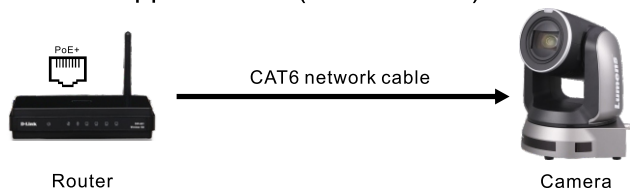
▼ Push the metal plate **A** up to the ceiling and then to the right to latch the metal plate **B**.

▼ And then secure with **2 M3** silver screws and **1 M3** black screw.



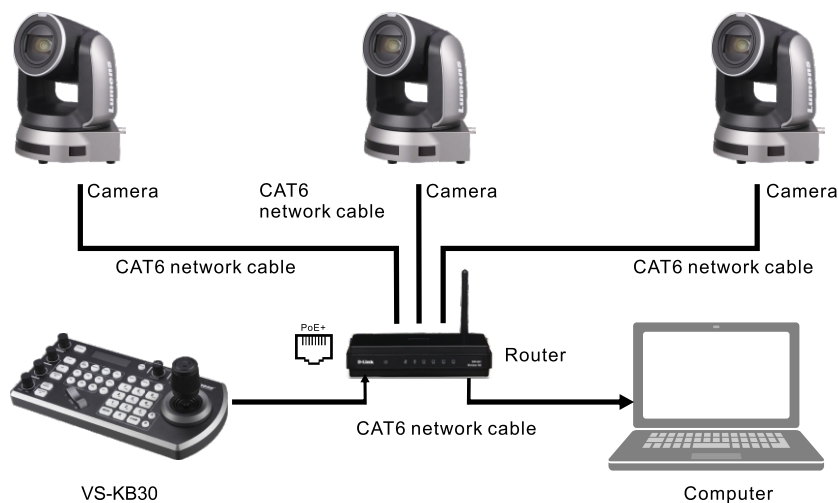
4. About the power supply

- Connect the DC 12 V power adapter for power supply
- Access power by using a router that supports PoE or connecting to a hub with a network cable
- ※ VC-A71PN supports PoE+(IEEE802.3at)



5. Camera connection description

Connect a single or multiple units of VC-A71PN, the control keyboard and the computer to the same router; use the control keyboard to control VC-A71PN through IP; and use the computer to view the images.

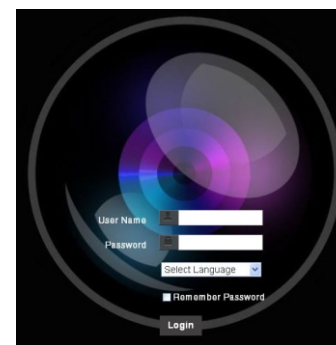


6. View the camera IP image

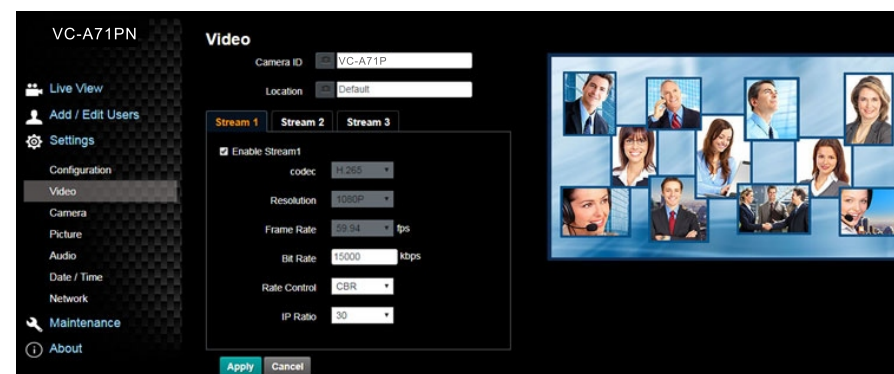
Open the browser, enter the camera IP address, enter the account and password, and gain access to view the camera IP image and control the camera.

Address

- ※The IP address can be verified by clicking [MENU] => [Ethernet] => [IP Address] on the remote control
- ※If it is not connected to a DHCP router, the default IP address is 192.168.100.100



Account: admin
Password: 9999



Access is also available by connection through the Lumens VMS software. For details of the operations of Lumens VMS, please download the software and its user manual from the official Lumens website (<https://www.Mylumens.com/support>).

※For New Tek product operation or instructions, please go to <http://new.tk/NDIHX-Driver-Win>