

datavideo®

Sharing the Value

DIGITAL VIDEO
HD-SD



HS-2000L HD Mobile Video Studio

www.datavideo.info

Lightweight 5-Channel HD Portable Studio HS-2000L



The Datavideo HS-2000L is a broadcast HD-SDI mobile video studio designed with improved portability in mind. The HS-2000L is ideal as hand luggage when travelling (fits into airline overhead luggage bays and weighs only 9kg).

The HS-2000L is a five channel 10-bit 1920x1080i or 1280x720p HD-SDI and DVI-D video & studio switcher, with advanced features such as a 17.3-inch multi-image video monitor displaying each source, together with preview and program, a complete 8 way talkback system supplied with four belt packs, 14 pre-stored logos, digital clock display, five user set up, title overlay and DVI-D connection ideal for use with presentation software.

The integrated audio mixer with balanced XLR connectors allows up to four channels microphone or line audio inputs.

To avoid the mess and inconvenience of individual power supplies, Datavideo HS-2000L comes with an integrated power distribution centre, providing a simple and secure solution for connecting all the integrated equipment from a single socket.

Whether you are working in worship, education, conducting a live outside broadcast or shooting inside a production studio, the Datavideo HS-2000L HD portable studio enables you to switch seamlessly between video and audio sources and blend high-quality digital content on the fly, even without external genlock, thanks to the built in time base corrector.

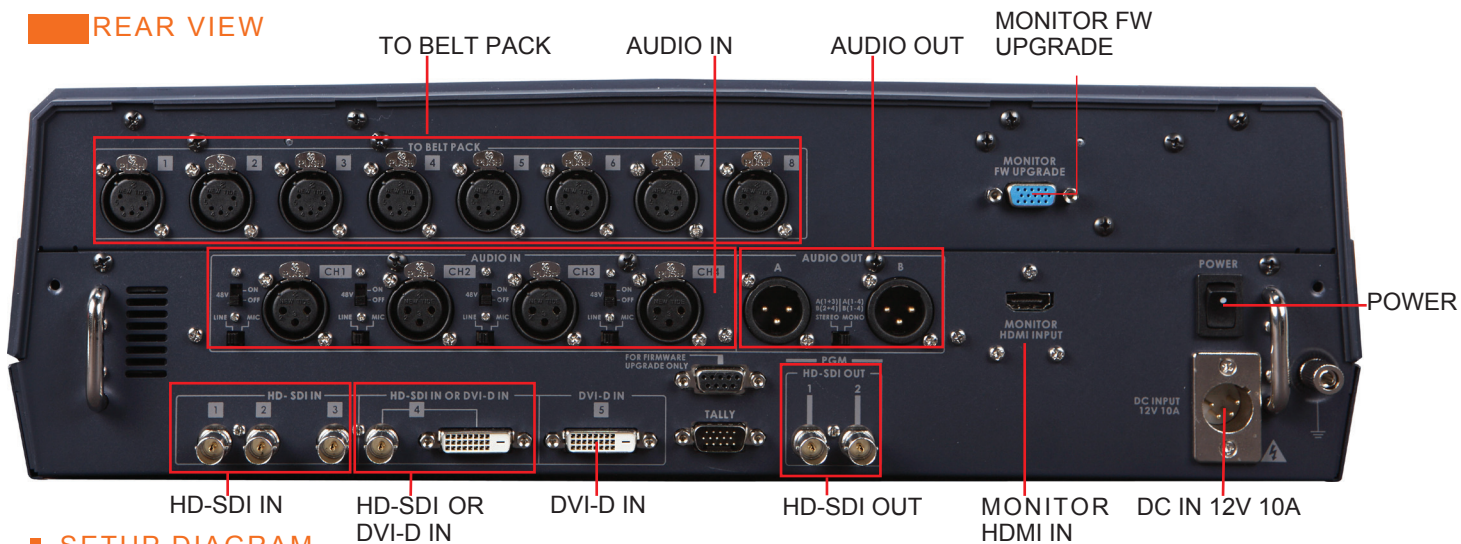


FEATURES

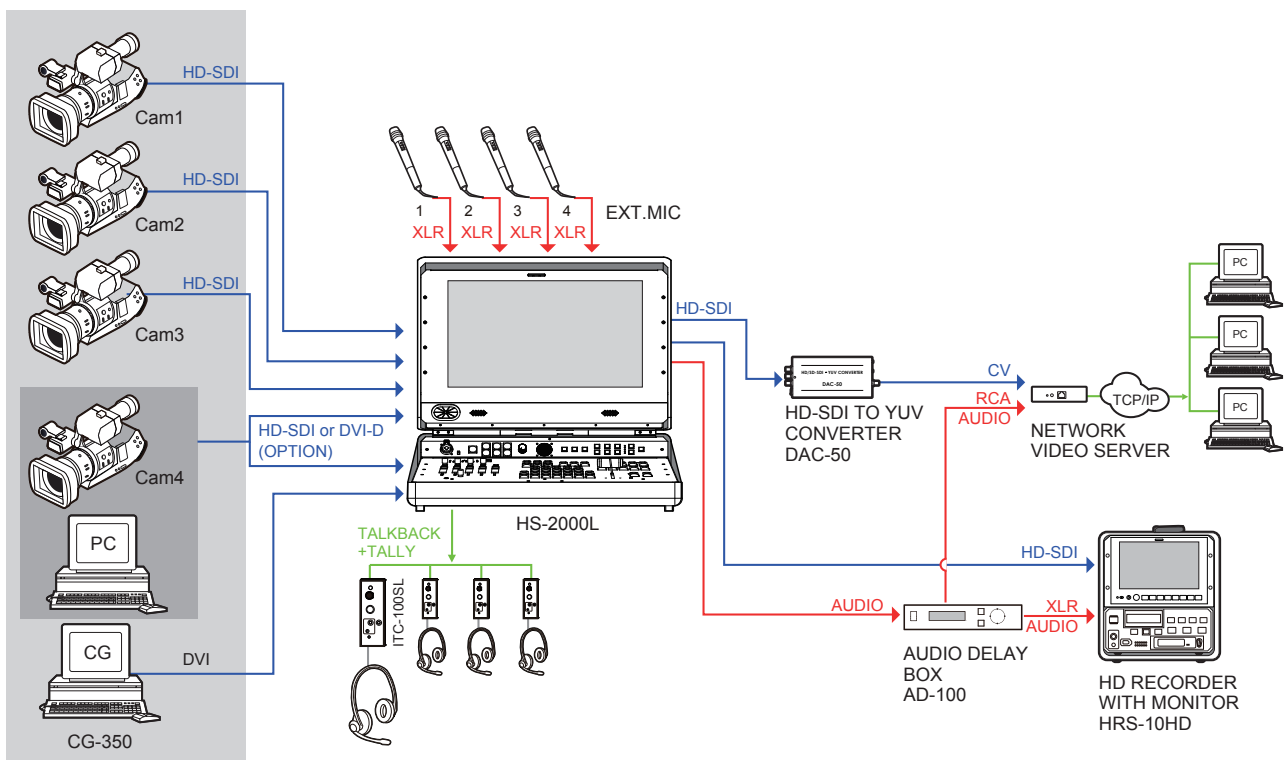
- HD 1920x1080i and 1280x720p.
- Input configuration: 4 x HD-SDI & 1 x DVI-D or
3 x HD-SDI & 2 x DVI-D.
- 2 x HD-SDI video output.
- 17.3-inch multi-image video monitor displaying each source, preview and program.
- Built in digital clock and 14 logo store.
- Lumakey function for text overlay.
- Four XLR microphone or line audio input.
- Picture in Picture function.
- Integrated eight channel dual talkback system with four cameraman belt packs each with dual colour tally light indicator.
- Seamlessly switching between all sources, thanks to the built in TBC & frame synchroniser that synchronizes all inputs without the need for external genlock of the cameras.
- Integrated power distribution centre. Providing a simple and secure solution for connecting all the integrated equipment from a single socket.



REAR VIEW



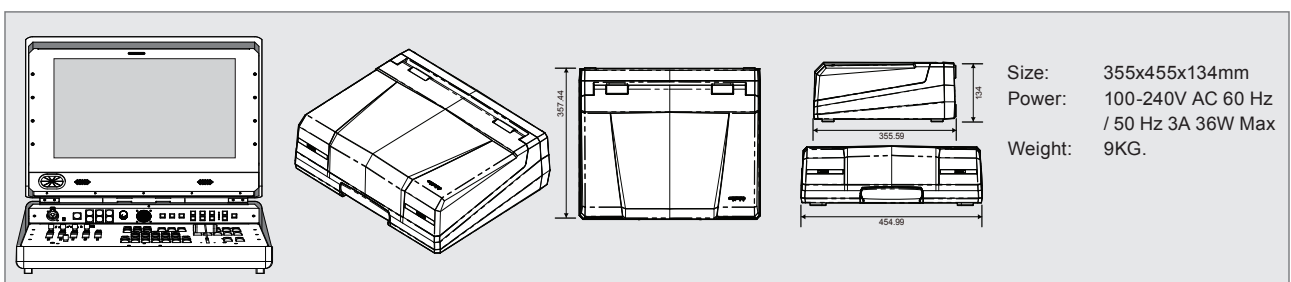
SETUP DIAGRAM



ACCESSORIES (INCLUDED)



DIMENSIONS



datavideo®

Sharing the Value

Datavideo Worldwide Offices

Datavideo Technologies Co. Ltd
10F. No. 176, Jian 1st Rd., Chung Ho City
Taipei Hsien 235, Taiwan,
R.O.C.
Tel: +886-2-8227-2888
Fax: +886-2-8227-2777
E-mail: service@datavideo.com.tw

Datavideo Technologies China Co
102, No. 1301, Gonghexin Rd,
Zhabei District, Shanghai, China
Tel: +86 21-5603 6599
Fax: +86 21-5603 6770
E-mail: service@datavideo.cn

Datavideo Hong Kong Ltd
G/F., 26 Cross Lane
Wanchai, Hong Kong
Tel: +852-2833-1981
Fax: +852-2833-9916
E-mail: info@datavideo.com.hk

Datavideo Corporation
7048 Elmer Avenue.
Whittier, CA 90602,
U.S.A.
Tel: +1-562-696 2324
Fax: +1-562-698 6930
E-mail: contactus@datavideo.us

Datavideo Technologies (S) PTE Ltd
No. 178 Paya Lebar Road #06-03
Singapore 409030
Tel: +65-6749 6866
Fax: +65-6749 3266
E-mail: sales@datavideo.sg

Datavideo Technologies India Pvt Ltd
A-132, Sec-63, Noida-201307,
INDIA
Tel: +91-120-2471023
Fax: +91-120-2406143
E-mail: sales@datavideo.in

Datavideo Technologies Europe BV
Floridadreef 106
3565 AM Utrecht,
The Netherlands
Tel: +31-30-261 96 56
Fax: +31-30-261 96 57
E-mail: info@datavideo.nl

Datavideo UK Limited
Units 1 & 2 Waterside Business Park
Hadfield, Glossop, Derbyshire
SK13 1BE, UK
Tel: +44-1457 851000
Fax: +44-1457 850964
E-mail: sales@datavideo.co.uk

Datavideo France s.a.r.l
Cité Descartes 1, rue Albert Einstein
Champs sur Marne
774477-Marne la Vallée cedex 2
Tel: +33-1-60370246
E-mail: info@datavideo.fr

Datavideo Distributor / Reseller: