

HDMI TO SDI CONVERTER DAC-9P (3G HD Supported)



Many new High Definition camcorders and devices provide HDMI as the only High Definition output option. Datavideo's DAC-9P allows users to connect HDMI devices to professional SDI equipment, like video switchers or recorders up to 200m away.

HDMI is unsuitable for long cable runs, but using a Datavideo DAC-9P, users can convert HDMI to HD & SD-SDI and take advantage of high quality and affordable SDI cabling.

The DAC-9P even embeds the audio from HDMI into the SDI signal so only one SDI cable is needed.



FRONT VIEW



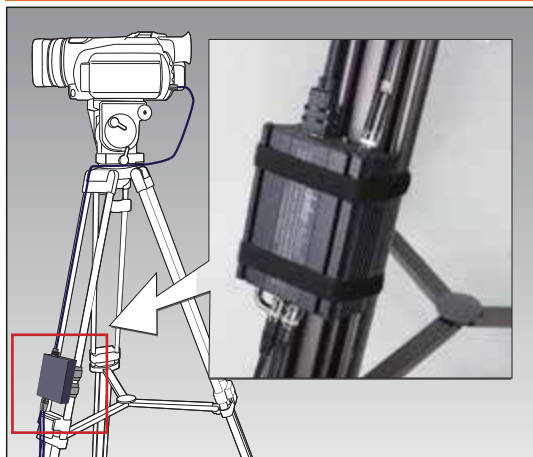
HD/SD-SDI
OUT

REAR VIEW



DC IN
12V 5W POWER
SWITCH HDMI IN

Tripod Mount Housing



SPECIFICATIONS

- Video input: 1 X HDMI
- Output: 2 x SDI (HD / SD SDI)
- Enables long cable runs
- Rugged case design
- Audio can be embedded in SDI output signal
- PAL / NTSC compatible
- Tripod mount via velcro straps (supplied)
- DC 12V operation
- Video format
 - 1080P@59.94, 1080P@60, 1080P@50, 1080P@29.97, 1080P@25, 1080P@30, 1080P@23.98, 1080P@24,
 - 1080i@59.94, 1080i@60, 1080i@50,
 - 720P@59.94, 720P@60, 720P@50,
 - 525i
 - 625i
- Power consumption: DC12V, 3.6 watts

SETUP DIAGRAM

