

Portable Production Unit with SE-3000

MS-3000



Quick Start Guide

Warranty

Standard Warranty

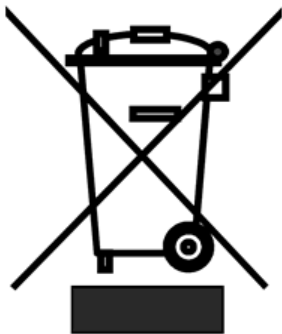
- Datavideo equipment is guaranteed against any manufacturing defects for one year from the date of purchase.
- The original purchase invoice or other documentary evidence should be supplied at the time of any request for repair under warranty.
- Damage caused by accident, misuse, unauthorized repairs, sand, grit or water is not covered by this warranty.
- All mail or transportation costs including insurance are at the expense of the owner.
- All other claims of any nature are not covered.
- Cables & batteries are not covered under warranty.
- Warranty only valid within the country or region of purchase.
- Your statutory rights are not affected.

Two Year Warranty

- All Datavideo products purchased after 01-Oct.-2008 qualify for a free one year extension to the standard Warranty, providing the product is registered with Datavideo within 30 days of purchase. For information on how to register please visit www.datavideo.com or contact your local Datavideo office or authorized Distributors
- Certain parts with limited lifetime expectancy such as LCD Panels, DVD Drives, Hard Drives are only covered for the first 10,000 hours, or 1 year (whichever comes first).

Any second year warranty claims must be made to your local Datavideo office or one of its authorized Distributors before the extended warranty expires.

Disposal



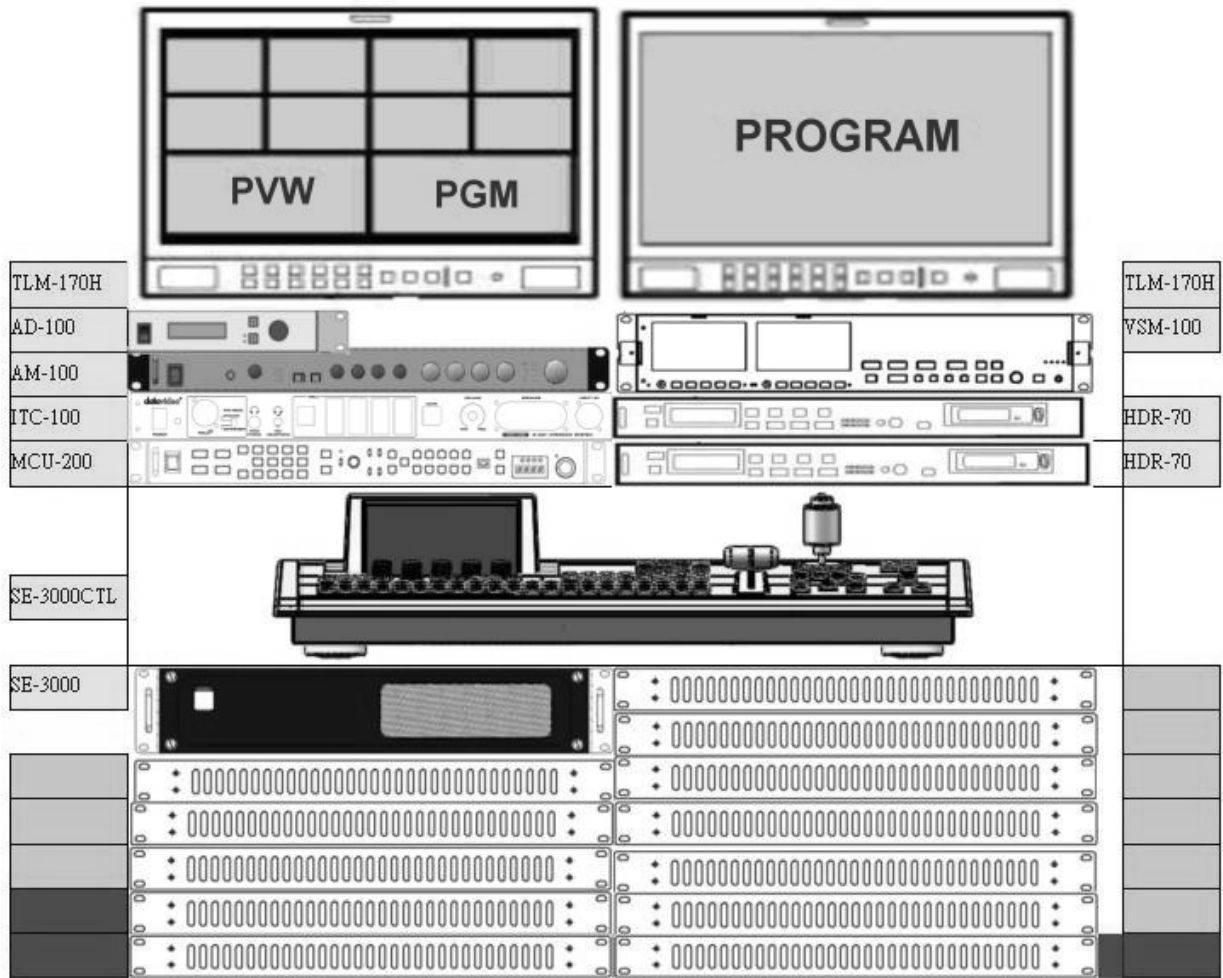
For EU Customers only - WEEE Marking

This symbol on the product indicates that it will not be treated as household waste. It must be handed over to the applicable take back scheme for the recycling of electrical and electronic equipment. For more detailed information about the recycling of this product, please contact your local Datavideo office.

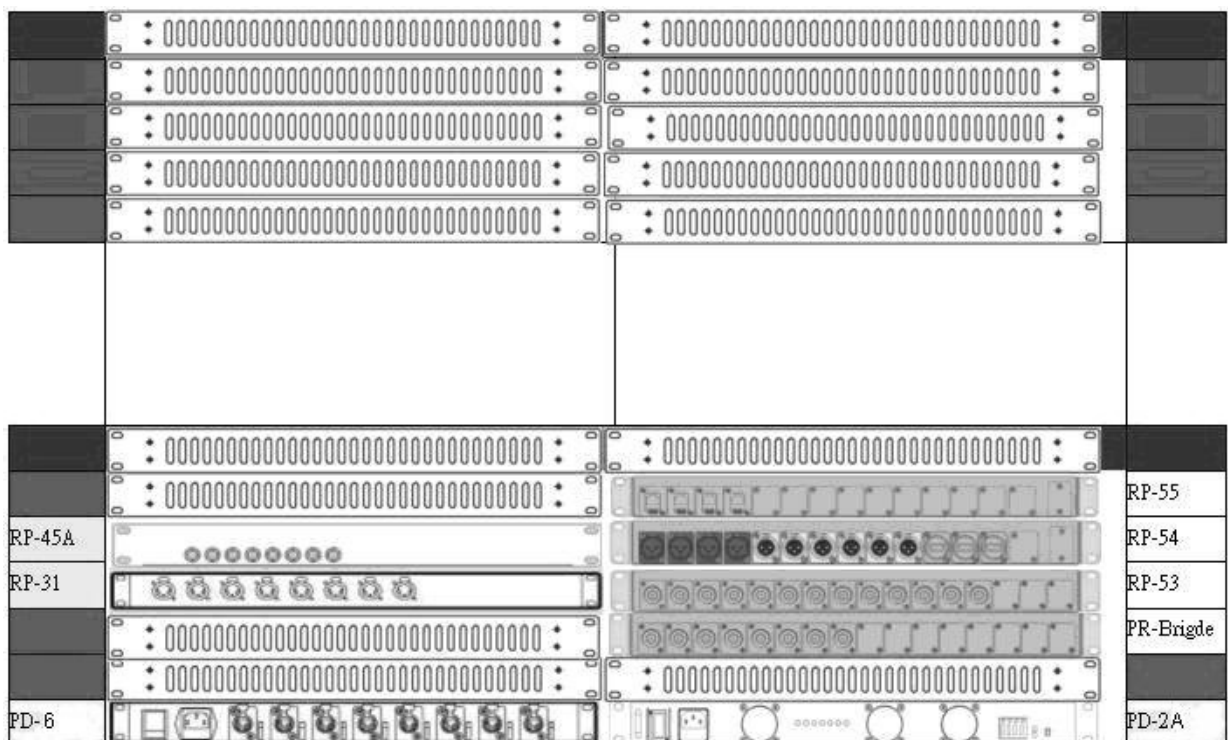
Packing List

1	x	Goose neck LED light
1	x	Goose neck MIC
4	x	Tally LED TD-2 with
4	x	Black Velcro 36cm
4	x	GPI Cable Stereo 1.2M
4	x	Headphone
4	x	ITC-100SL
4	x	XLR Cable + CON 20M
5	x	120mm cable tie
10	x	200mm cable tie
10	x	Anti-vibration screw + M5*10 washer
1	x	Y type USB cable
2	x	2.5" HDD enclosure
10	x	Screw M3*4mm
2	x	ISO screw 2*6mm
2	x	HD sticker
4	x	Blank sticker
1	x	Mylar Label
1	x	2P(Molex) + Y type connect cable
4	x	Velcro 50*300mm
2	x	AC Power Cord
1	x	MS-3000 Instruction Manual
1	x	SE-3000 Quick Start Guide
1	x	TLM-170H series Instruction Manual
1	x	ITC-100 Instruction Manual
1	x	RP-31 Instruction Manual
1	x	PD-2A Quick Start Guide
1	x	HDR-70 Quick Start Guide
1	x	AD-100 Instruction Manual
1	x	PD-6 Instruction Manual
1	x	VSM-100 Quick Start Guide
1	x	RP-45A Quick Start Guide
1	x	AM-100 Instruction Manual
1	x	MCU-200 Quick Start Guide
1	x	RP-Bridge Quick Start Guide
1	x	RP-53 Quick Start Guide
1	x	RP-54 Quick Start Guide
1	x	RP-55 Quick Start Guide

System setting

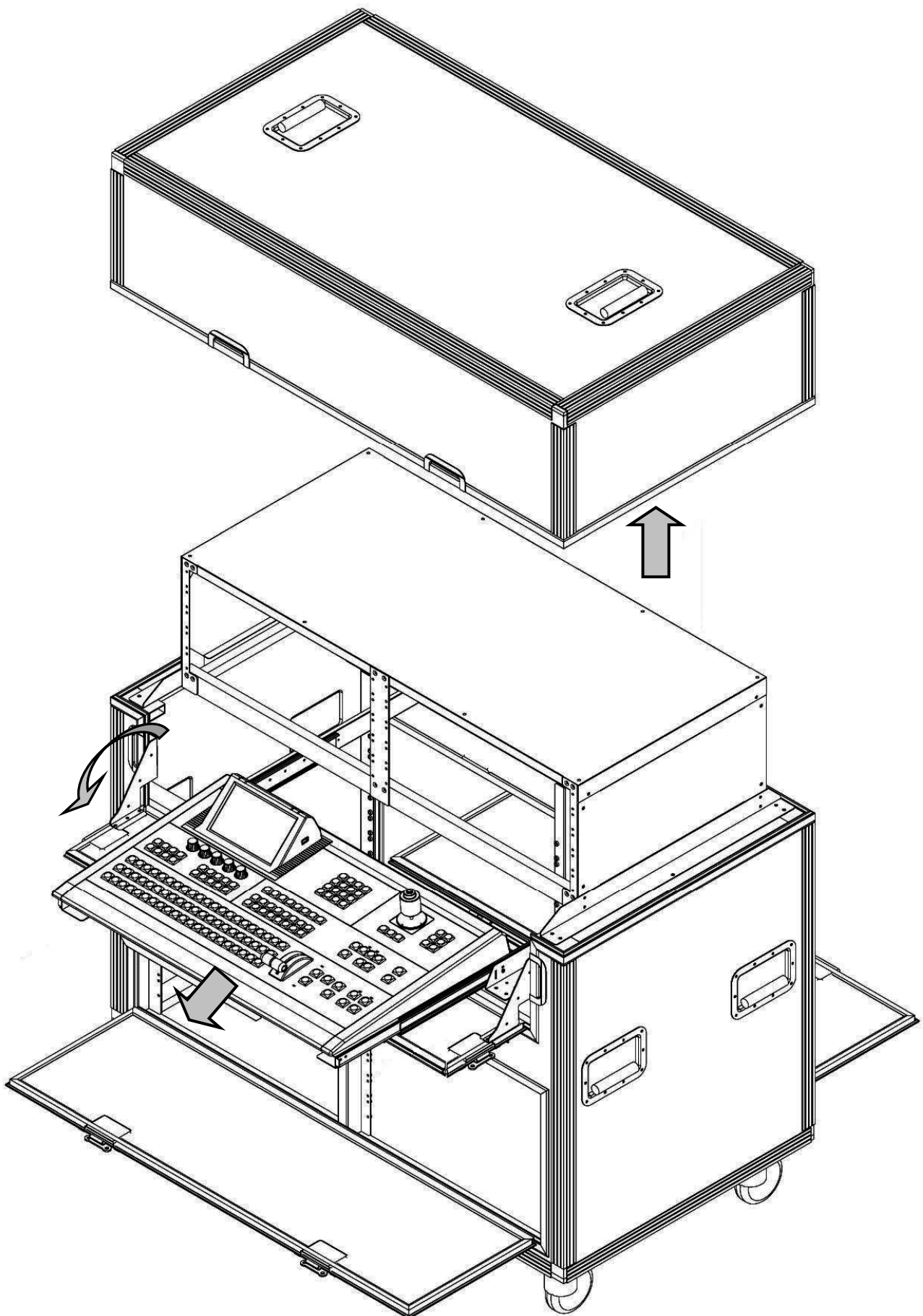


(Front Side)

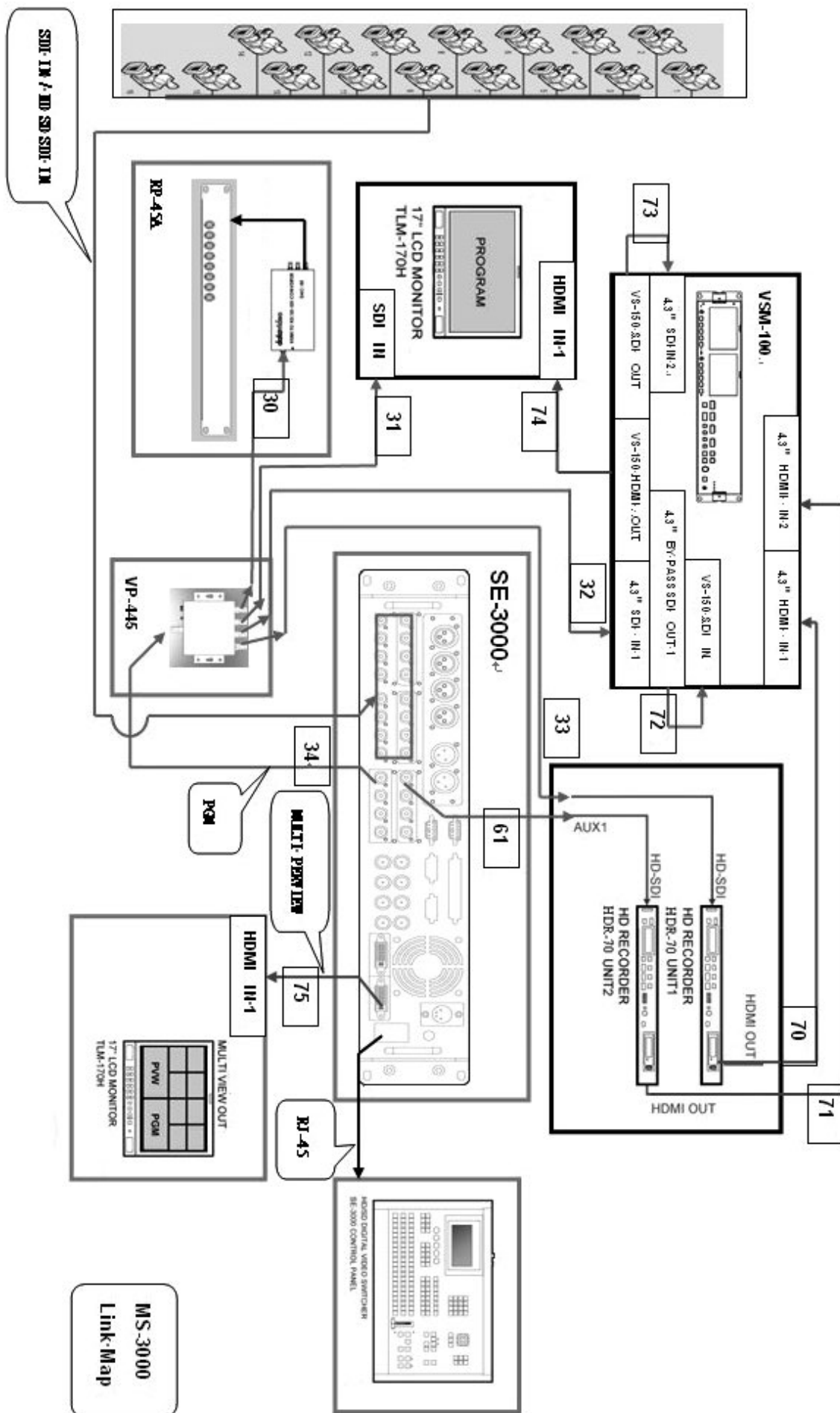


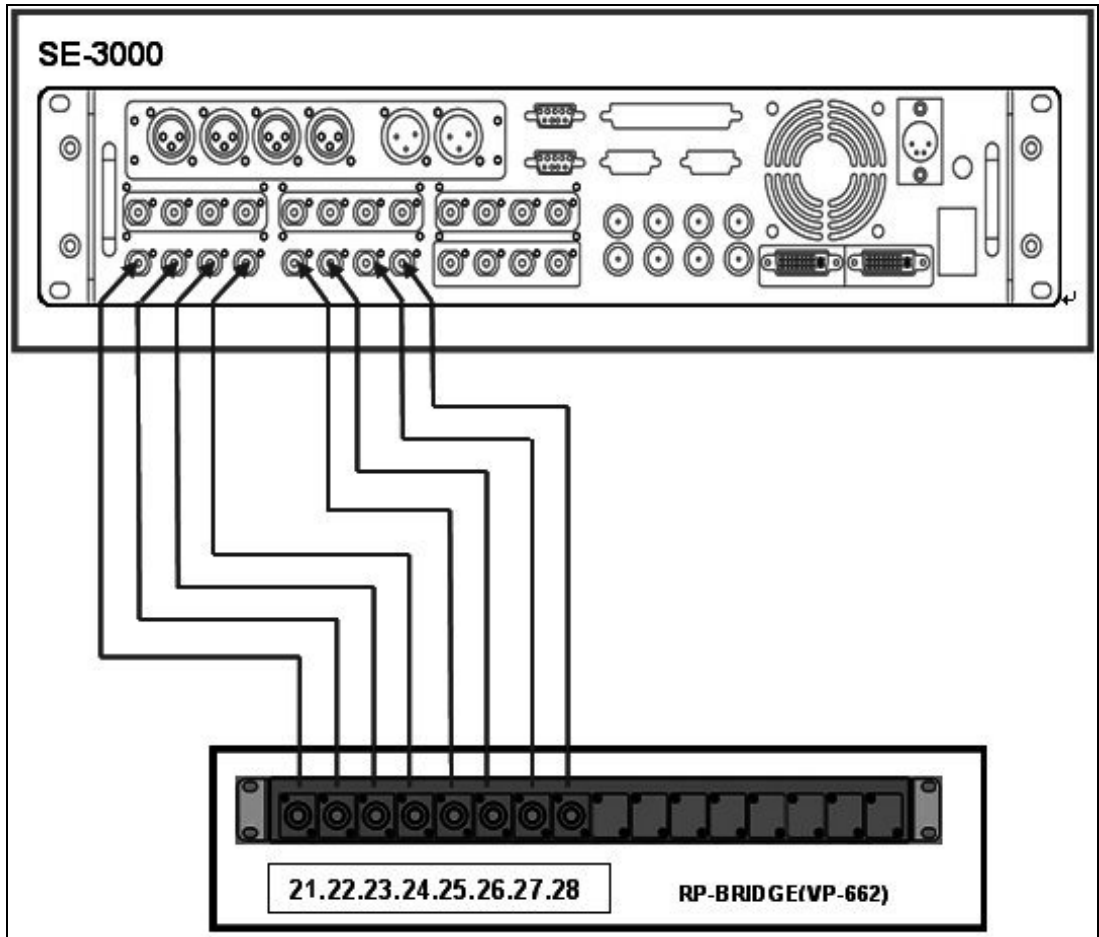
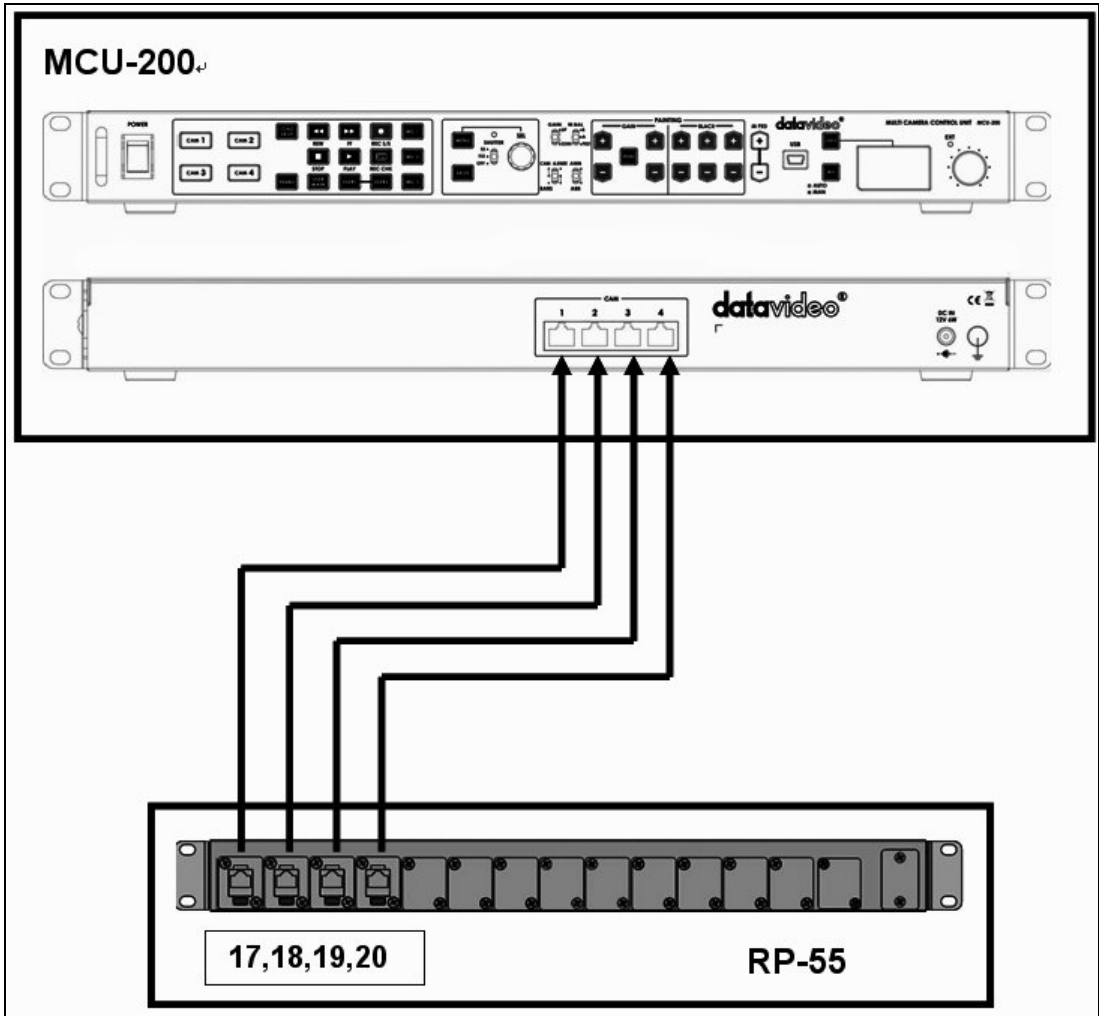
(Rear Side)

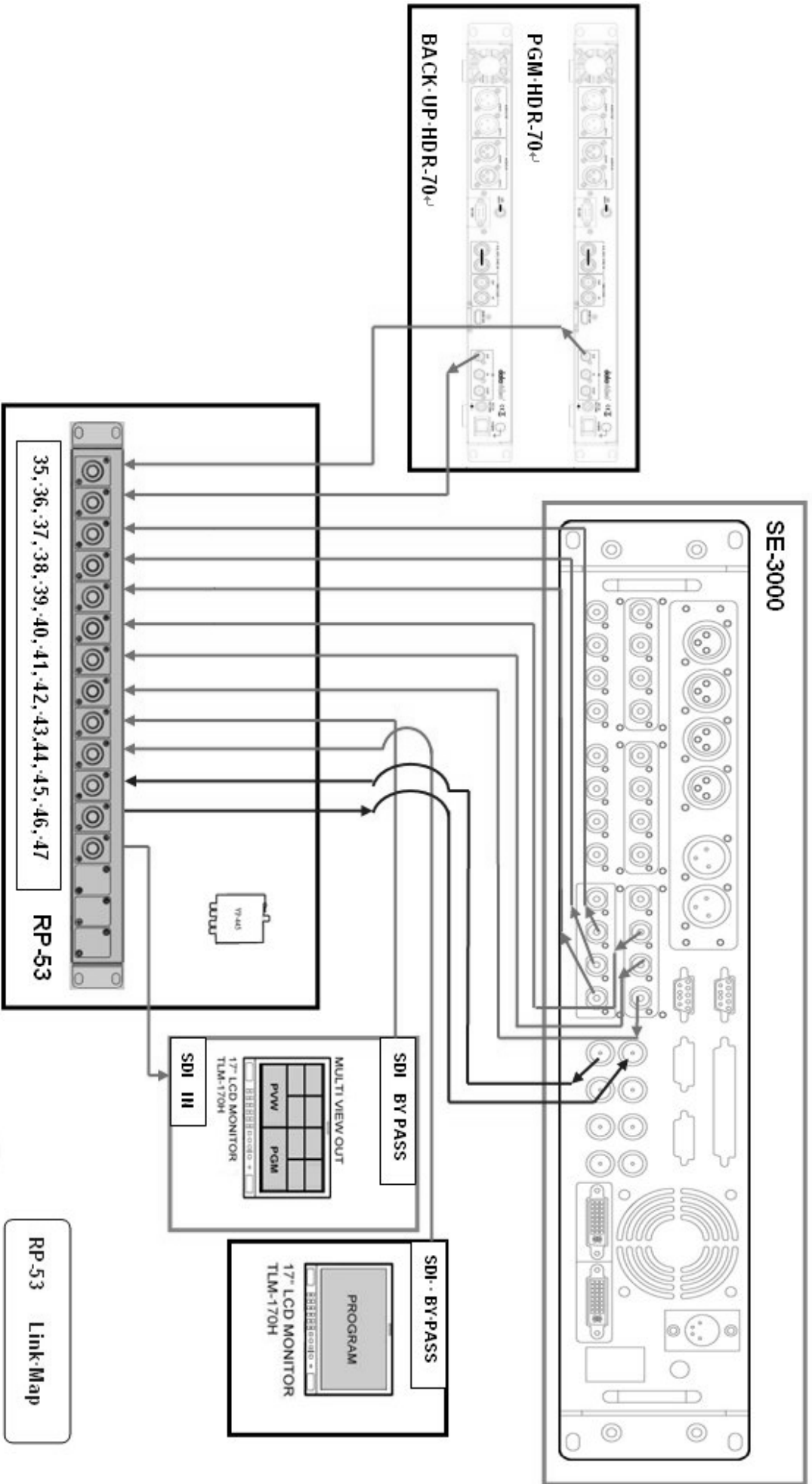
System expansion

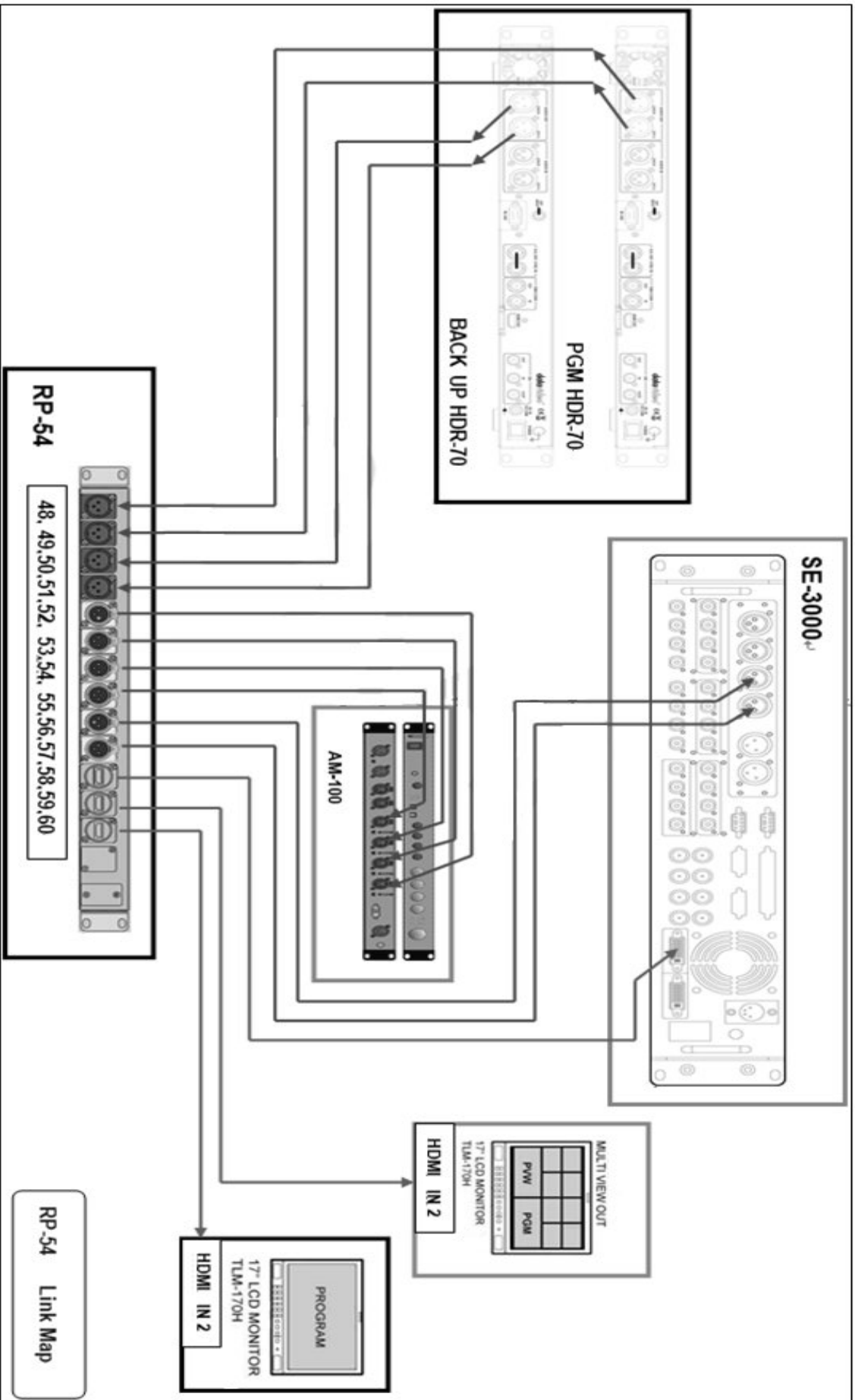


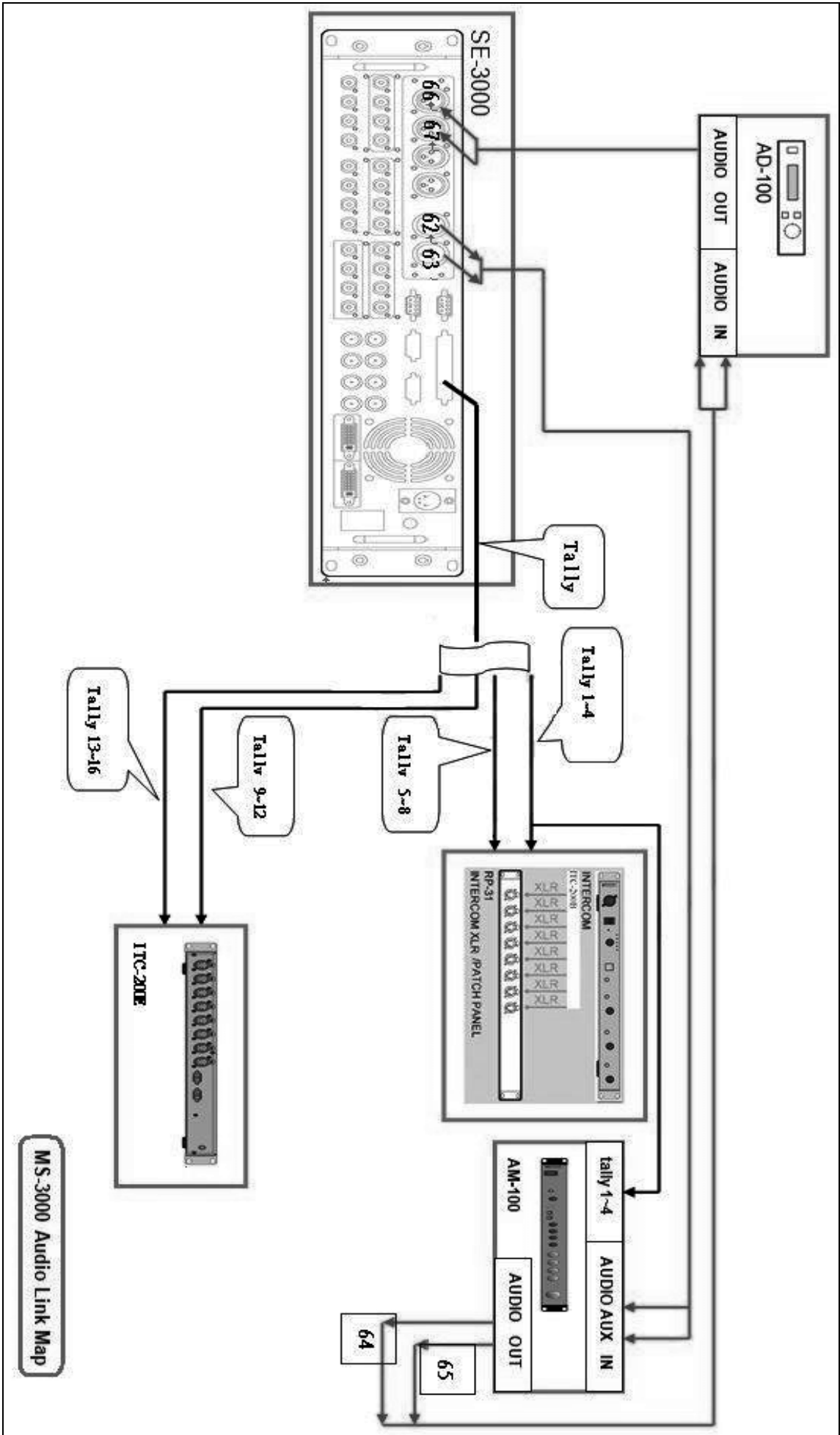
System Link Map



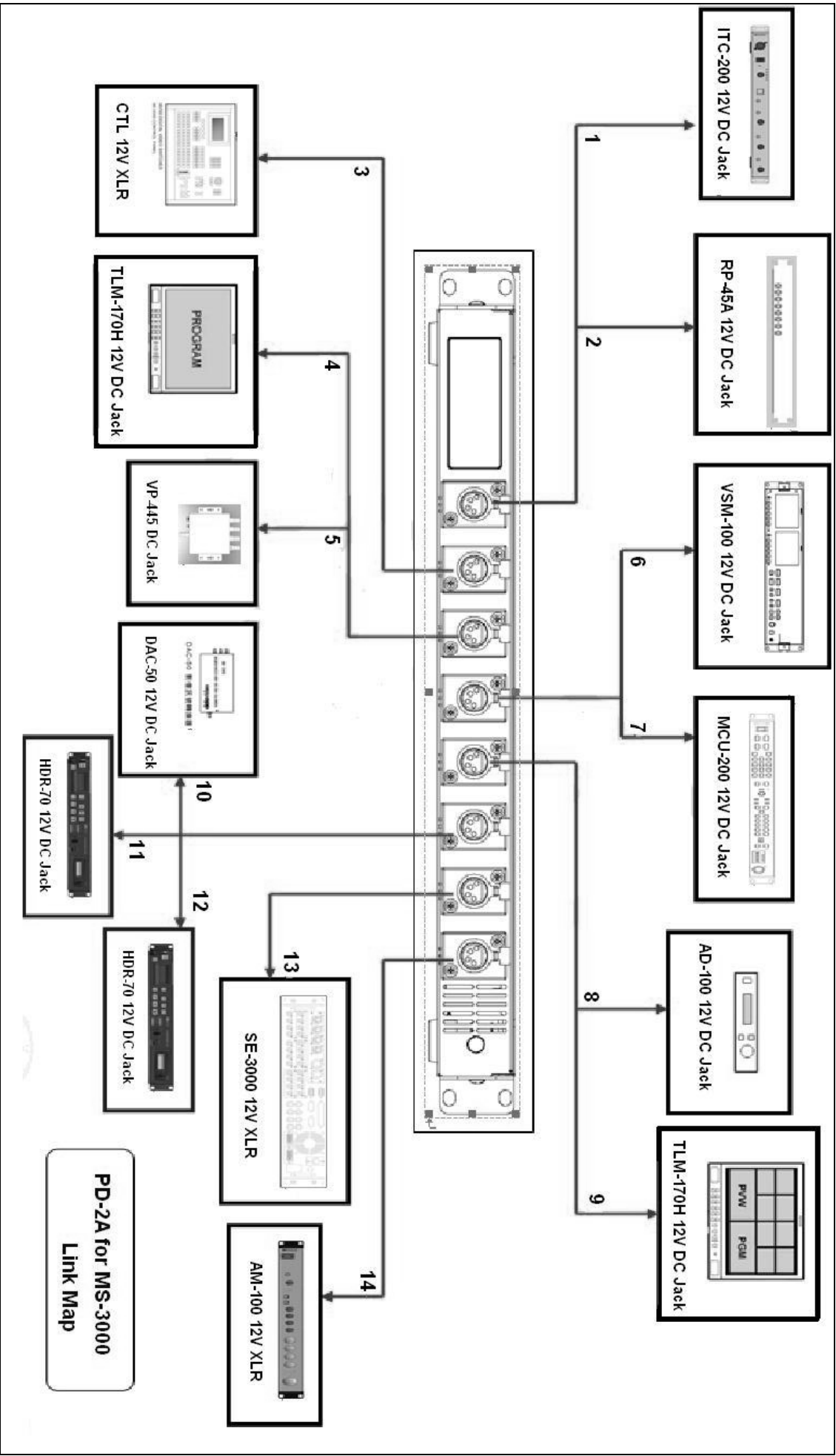








MS-3000 Audio Link Map



Service & Support

It is our goal to make owning and using Datavideo products a satisfying experience. Our support staff is available to assist you to set up and operate your system. Contact your local office for specific support requests. Plus, please visit www.datavideo.com to access our FAQ section.

USA: Datavideo Corporation

Tel: +1 562 696 2324	Fax: +1 562-698-6930	E-Mail: techsupport@datavideo.us
----------------------	----------------------	--

The Netherland: Datavideo Technologies Europe BV

Tel: +31-30-261-96-56	Fax: +31-30 261-96-57	E-Mail: service@datavideo.nl
-----------------------	-----------------------	--

United Kingdom: Datavideo UK Limited

Tel: +44 1457 851 000	Fax: +44 1457 850 964	E-Mail: sales@datavideo.co.uk
-----------------------	-----------------------	--

Taiwan: Datavideo Technologies Co., Ltd

Tel: +886 2 8227 2888	Fax: +886-2-8227-2777	E-mail: service@datavideo.com.tw
-----------------------	-----------------------	--

China: Datavideo Technologies China Co., Ltd

Tel: +86 21-5603 6599	Fax: +86 21-5603 6770	E-mail: service@datavideo.cn
-----------------------	-----------------------	--

Singapore: Datavideo Technologies (S) PTE LTD

Tel: +65-6749 6866	Fax: +65-6749 3266	E-mail: sales@datavideo.sg
--------------------	--------------------	--

Hong Kong: Datavideo HK Limited.

Tel: +852 2833 1981	Fax: +852-2833-9916	E-mail: info@datavideo.com.hk
---------------------	---------------------	--

France: Datavideo France

Tel: +33 1 60 37 02 46	Fax: +33 1 60 37 67 32	E-Mail: info@datavideo.fr
------------------------	------------------------	--

India: Datavideo India

Tel: +91-0120-2427337	Fax: +91-0120-2427338	E-Mail: sales@datavideo.in
-----------------------	-----------------------	--

All the trademarks are the properties of their respective owners.
Datavideo Technologies Co., Ltd. All rights reserved 2018

Mar-10.2014 P/N: G082060672B2