

Please read this manual carefully before using the Alphatron EVF bracket!

### CAUTION

Please ensure that the Alphatron EVF is aligned correctly to the mounting plate (F) before tightening the thumbscrew (E). A misalignment of the EVF unit could lead to damaging the EVF surface.

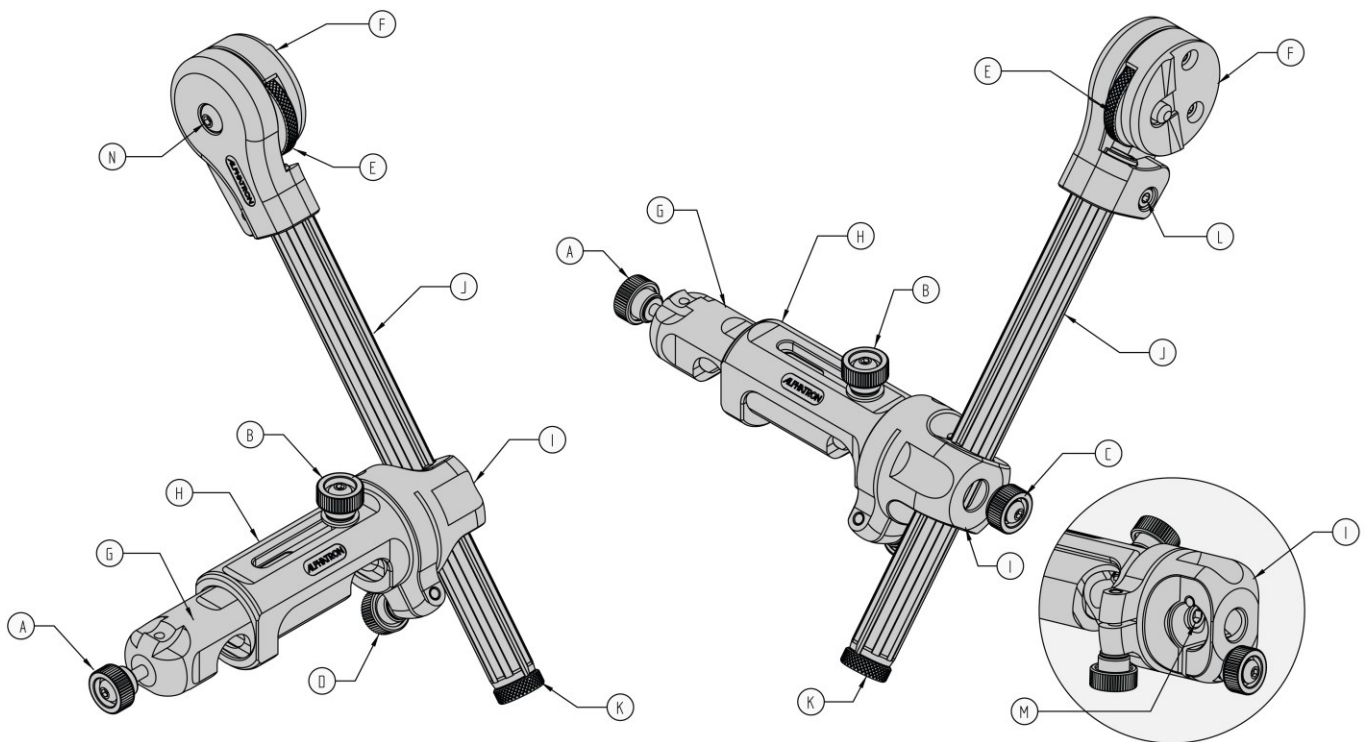


Figure 1: Alphatron EVF bracket nomenclature.

<b>A</b>	Clamping knob 15mm bars	<b>H</b>	Sliding part
<b>B</b>	Clamping knob side adjustment	<b>I</b>	Arm rotation point
<b>C</b>	Clamping knob length adjustment	<b>J</b>	15mm rod 180mm (7.1") length
<b>D</b>	Clamping knob arm rotation point	<b>K</b>	1/4" end cap
<b>E</b>	Thumbscrew EVF	<b>L</b>	Clamp bolt EVF mount
<b>F</b>	EVF mount plate and rotation point	<b>M</b>	Friction adjustment bolt arm rotation point
<b>G</b>	Clamping part 15mm bars	<b>N</b>	Friction adjustment bolt EVF rotation point

### Assembling the Alphatron EVF bracket

**CAUTION:** don't tighten clamping bolt (L) without a 15mm rod inserted.

Please insert the 15mm rod (J) in the EVF mount part (F) and align the slot as shown in "figure 2". When the rod is fully inserted and aligned please tighten bolt (L) using a metric hex-key 3mm. Rotate the hex-key clockwise to tighten and counter-clockwise to loosen the bolt.

Note: the EVF mount part can be clamped to any 15mm rod or accessory mount.

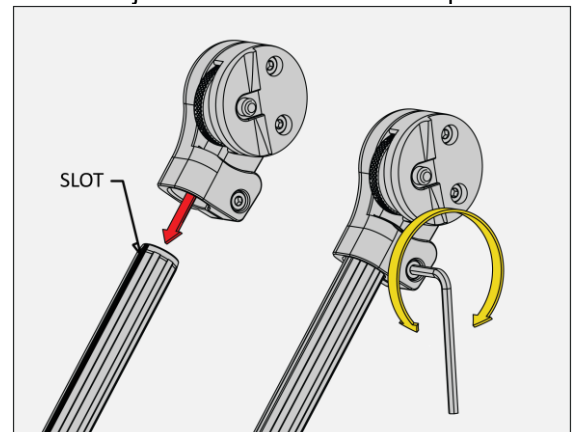


Figure 2: Assembling EVF mount part.

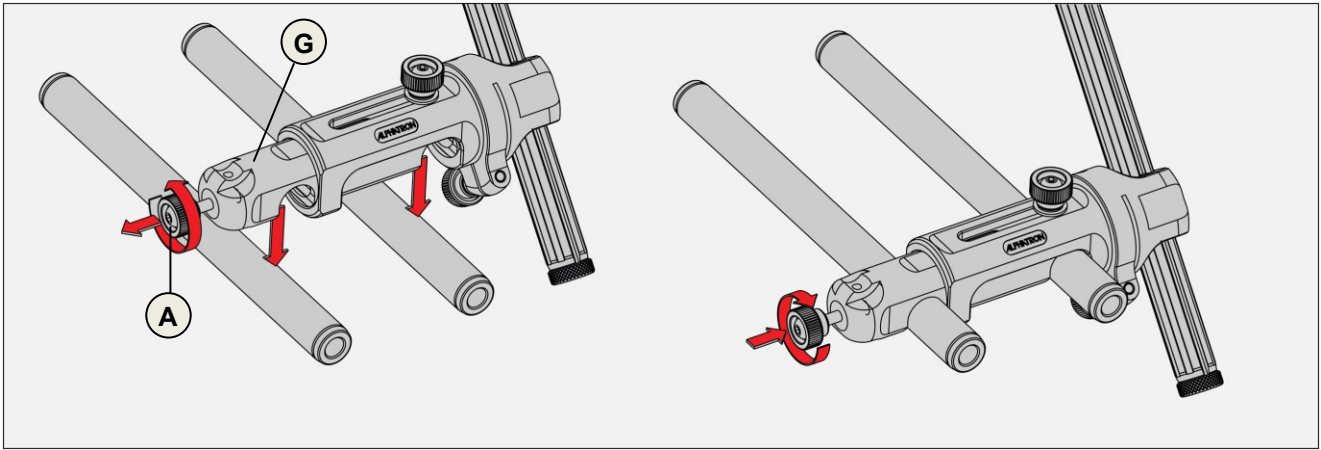


Figure 3: mounting the bracket to the 15mm rod system.

### Clamping the EVF bracket to the 15mm rod system

The EVF bracket is designed for use with a standard 15mm rod system (rods 60mm apart). Please place the bracket clamp (G) on the rods as shown in "figure 3". When the bracket clamp doesn't snap on the rods please unscrew clamping knob (A) counter-clockwise until it does.

When the bracket clamp is placed completely way over the 15mm rods, please tighten knob (A) clockwise until the bracket clamp is securely fixed.

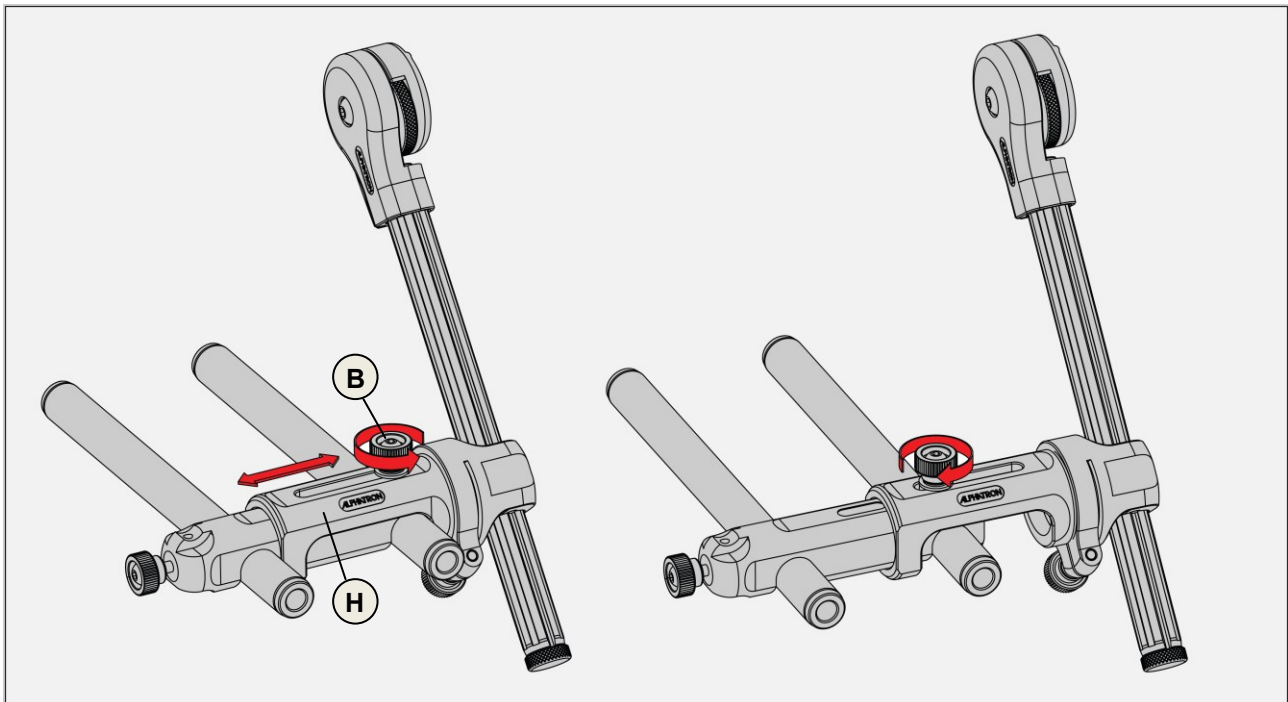


Figure 4: side adjustment.

### Side adjustment

Please unscrew knob (B) to loosen the sliding part (H). Now you can adjust the position of part (H), please support the EVF unit with your hand while sliding. When the desired position is reached please tighten knob (B) to lock the position.

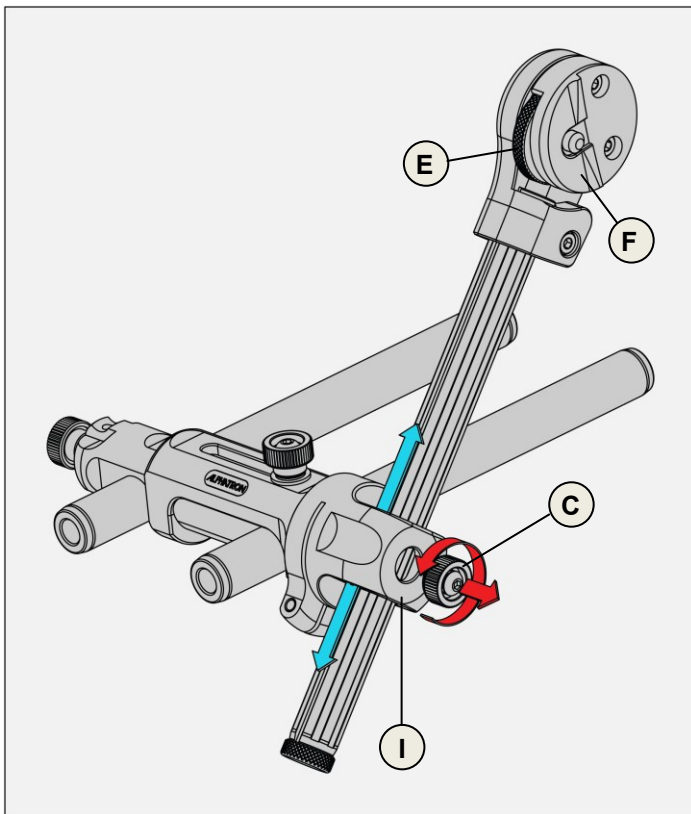


Figure 5: length adjustment.

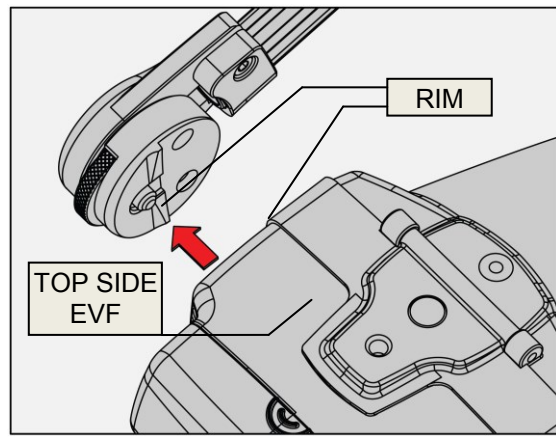


Figure 6: Alignment of the EVF.

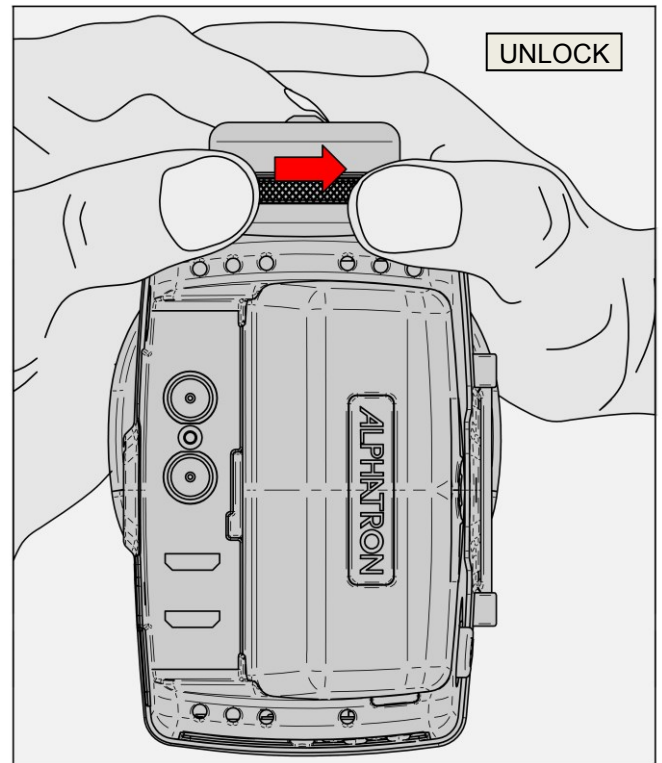


Figure 8: use two thumbs to unlock the EVF. The red arrow shows the unlock direction.

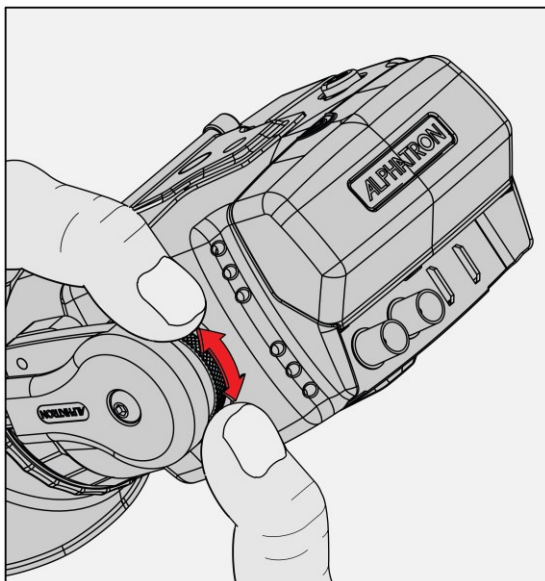


Figure 7: tighten (clockwise) or loosen (counter-clockwise) the EVF.

### Length adjustment (figure 5)

Please unscrew knob (C) to loosen the clamping part (I). Now you can adjust the position of the rod, please support the EVF unit with your hand while sliding the rod. When the desired position is reached please tighten knob (C) to lock the position.

### Mounting the Alpatron EVF to the bracket (figure 6, 7 and 8)

Please position the Alpatron EVF unit as shown in “figure 6”. The rim of the EVF must be aligned to the rim of the mount.

When the EVF is positioned correctly please rotate the thumbscrew (E) clockwise (as viewed in “figure 7”) to tighten. To unlock please rotate the screw counter-clockwise.

**NOTE:** when you can't loosen the thumbscrew (E) because it's tightened too much, please use the following technique as shown in “figure 8”. Place both thumbs at either side of the thumbscrew, press down and to the right (when holding the bracket and EVF as shown in figure 8).

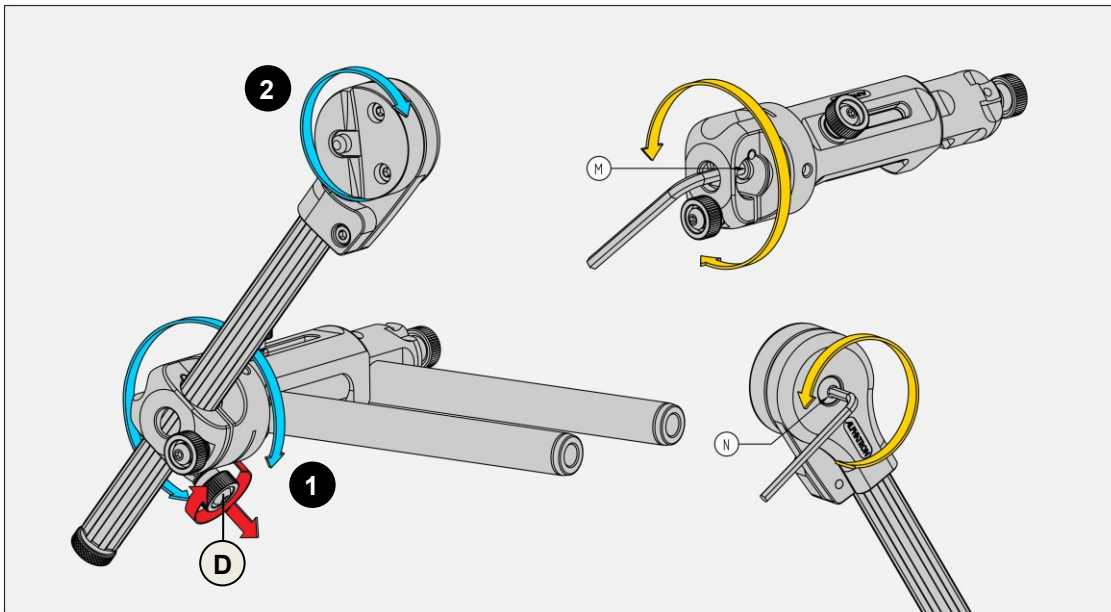


Figure 9: adjusting the friction

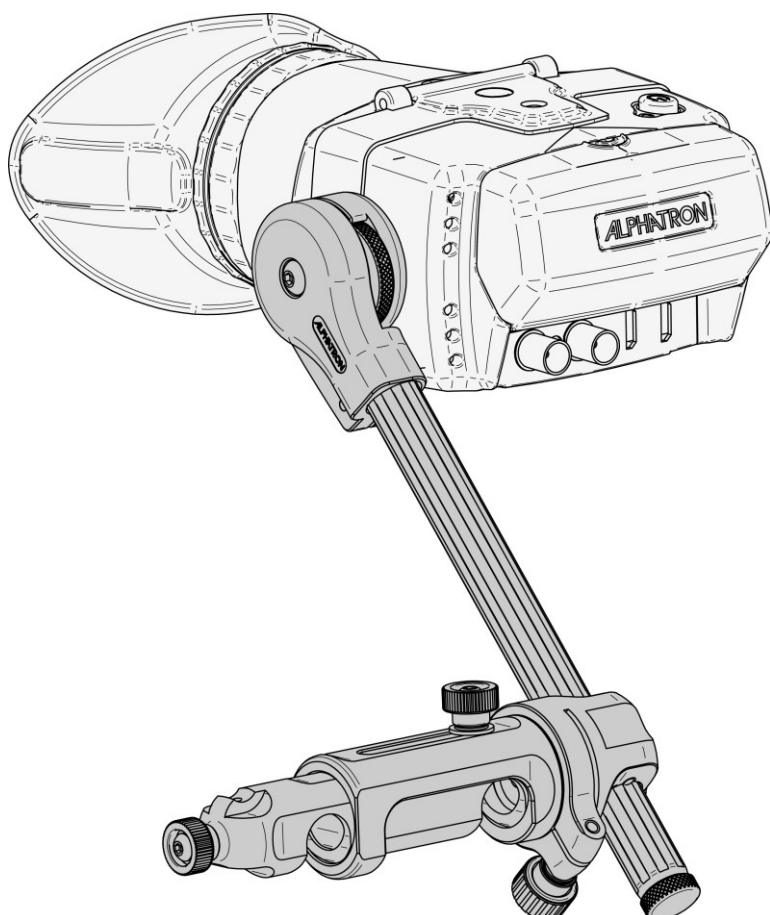
### Adjusting the friction of the rotating points (figure 9)

Clockwise ↻, Counter-clockwise ↺

Both rotating points (1 and 2) have a adjustable friction.

For adjusting the friction in point 1 please slightly tighten (↻) or loosen (↺) hex-bolt (M) using a hex-key 3mm. You can also change the friction of point by 1 slightly tightening knob (D). To fully lock point 1 fully tighten knob (D).

For adjusting the friction in point 2 please slightly tighten (↻) or loosen (↺) hex-bolt (N) using a hex-key 3mm.



Alpatron Broadcast Electronics B.V.

This instruction manual is prepared with care, although no responsibility, financial or otherwise, is accepted for any consequences related the information stated in this instruction manual. All specifications in this instruction manual are subject to change without notice.

For more information please visit the Alpatron Broadcast website: [www.alpatron.tv](http://www.alpatron.tv)