



# AREC TP-100 Auto-Tracking System



- Automated tracking and orientating. No interference from any other object.
- Ideal self-capture devices for teaching, presentations and enterprise training of all types.
- Accurate and smooth tracking. Suitable for a variety of indoor and outdoor environments.



AREC TP-100 Auto-Tracking Mount, compatible with diverse types of video cameras, can automatically pan/tilt camera to follow a moving lecturer, keeping him/her constantly in frame while shooting video. With new-generation auto-tracking technology, AREC TP-100 provides superior smooth movement even in close-up shots, just like a professional cameraman does.

## Main Features

### Film Yourself without Help from a Second Person

AREC TP-100 Auto-Tracking System, adopting AREC new-generation motion-sensitive tracking technology, makes tracking automatically and precisely in both indoor and outdoor environments. Supporting horizontal and vertical movement, TP-100 enables accurate tracking within a 12 meter radius, and is unobstructed by the surrounding object movements.



### Accurate and Smooth Tracking Performance

In order to capture lecturer's best performance, AREC TP-100 provides superior continued smooth movement even in close-up shots, just like a professional cameraman control. It's the ideal device for self-capture your lecture, instructional videos, or presentations.



### Compatible with Diverse Types of Cameras

With standard camera quick shoe design (1/4" 20 UNC), AREC TP-100 Auto-Tracking mount is compatible with diverse types of camera, including DSC, camcorders, CCTV /HD SDI and network cameras.



### Supports Dual Control Modes: Auto & Manual

To provide convenient user experience, AREC TP-100 supports auto and manual control modes to accomplish tracking recording.

- Auto mode: tracking the target automatically without any assistance
- Manual mode, IP web-based: through web-based interface to control
- Joystick control, RS-485: supports standard Pelco-D/P protocol



## Features

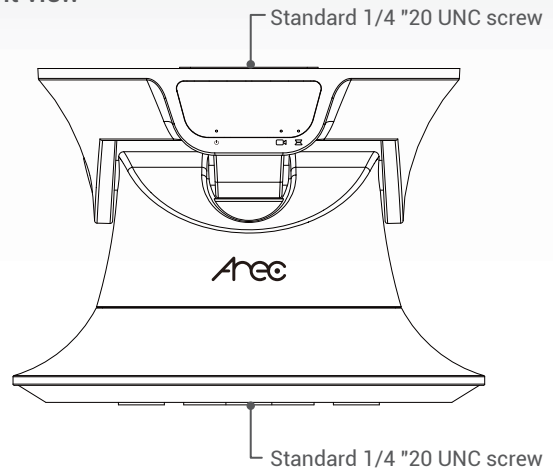
- Able to start/stop tracking by button controls of the positioner
- Supports multiple level of tracking sensitivity for different environments
- Supports object offset position setting for best lecture video performance
- Working with AREC media station, the positioner can become your wireless microphone to record the presenter's voice

## Specifications

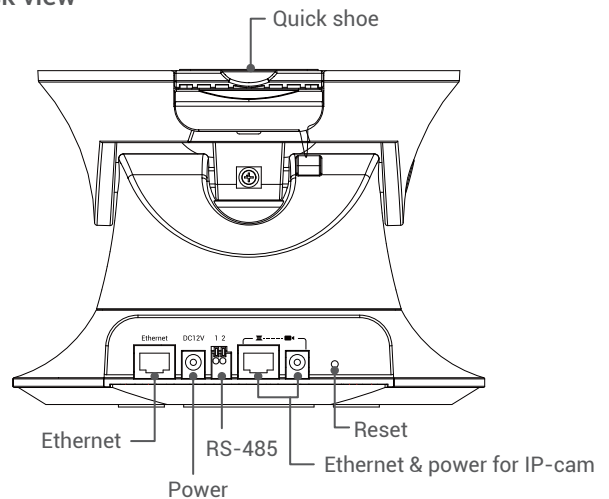
Model name	AREC TP-100 Auto-Tracking System
Camera	
Authorized optional camera	AREC CI-218 18X / CI-303 3X / CI-430 30X Network Camera
Video format	H.264, up to 1080p@30fps
Other camera mount	Standard camera quick shoe- 1/4" 20 UNC
Mount	
Rotation	355 degree pan / 60 degree tilt (-25~+35)
Tracking distance	3~12m radius
Manual operation	Webpage control / via TP-100 setting page or AREC media station online director
	Joystick control via RS-485 interface
Control protocol	HTTP / SDK RS-485 (Protocol: Pelco-D / Pelco-P)
Configuration	Pan/ tilt control
	Tracking sensitivity adjustment
	User-defined target offset position
	3 patrolling routes & 15 preset points
	1 login user account and password management
Power supply	DC12V 1A (TP-100)
	DC12V 2A (TP-100 + network camera)
Temperature	0~50 °C
Dimension	190x180x137mm
Weight	880g (1.9 lbs)
Bearing capacity	800g
Interface	RJ-45 *2: for IP-cam or external IP-based devices
	Power*2: IP-cam and power
Positioner	
Control buttons	Stop tracking and mute
Effective distance	12m radius (max.)
Power supply	Built-in rechargeable lithium battery
Power consumption	4 hours, after fully charged

## Product Interface

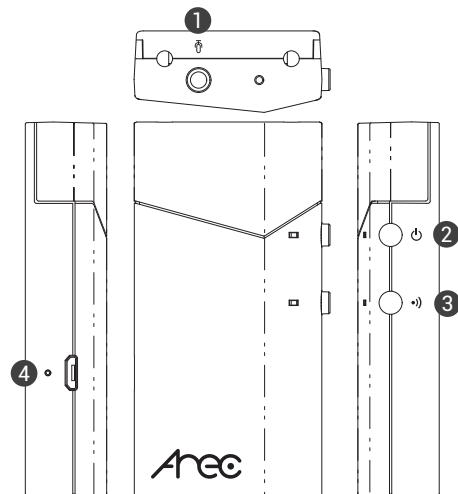
### Front view



### Back view



### Positioner



- ① Ø3.5 audio input jack
- ② Power / tracking on-off
- ③ Microphone pairing / mute
- ④ Power input USB Micro-B port



AREC Inc. | [www.arec.com](http://www.arec.com) | [sales@arec.com](mailto:sales@arec.com)  
 Headquarters: Taipei, Taiwan Address: 3F, No. 367,  
 Sec.2, Wenhua RD., Banqiao Dist., New Taipei City 220,  
 Taiwan (R.O.C) TEL: +886-2-8259-5060



AREC reserves the right to modify product specifications without prior notice.

Exclusive Representative in Europe, Africa and CIS countries  
 ADENA Limited | [www.a-dena.com](http://www.a-dena.com)  
 E-MAIL: [yakov@a-dena.com](mailto:yakov@a-dena.com)  
 TEL: +886 2 2577 7667